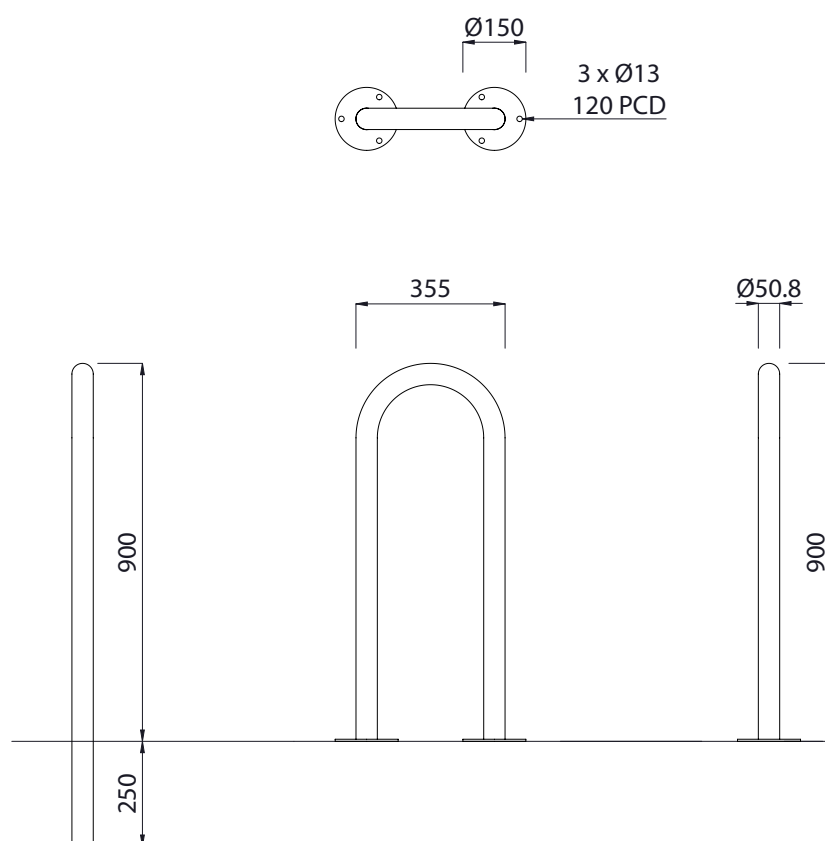


# CBD Cycle Stand



Colours / finishes shown are indicative only and may differ in reality.



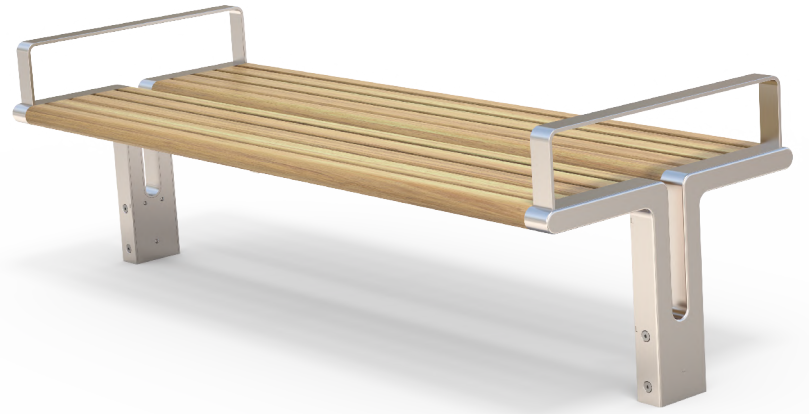
	MATERIALS	FINISHES	FINISH OPTIONS
<b>Steelwork</b>	<ul style="list-style-type: none"> <li>• 316 Stainless steel as standard</li> </ul>	<ul style="list-style-type: none"> <li>• Electropolished or Bead blasted</li> </ul>	<ul style="list-style-type: none"> <li>• Custom paint options</li> </ul>
	OPTIONS	DIMENSIONS	WEIGHT
	<ul style="list-style-type: none"> <li>• Plant or Surface mounted</li> </ul>	<ul style="list-style-type: none"> <li>• 355L x 900H x Ø50.8</li> </ul>	<ul style="list-style-type: none"> <li>• 5Kg</li> </ul>

- Part of the 'CBD' furniture suite. Made to order and can be customised to suit clients requirements.
- **Auckland Council / Auckland Transport specified design**, manufactured by Fel Group.
- Furniture is not supplied with installation instructions, install fastenings or footing details. These are to be specified and determined by the installing contractor for the specific requirements of each site.

# CBD Suite Complementing Furniture



CBD Seat 1800L



CBD Double Bench 1800L



CBD Narrow Bench 1800L



CBD Cycle Stand



CBD Single Bin



CBD Double Bin



CBD Water fountain



CBD Bollard