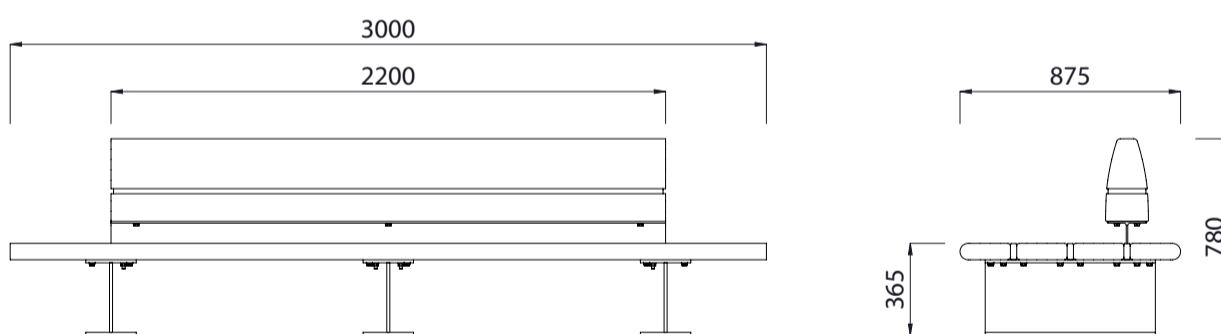
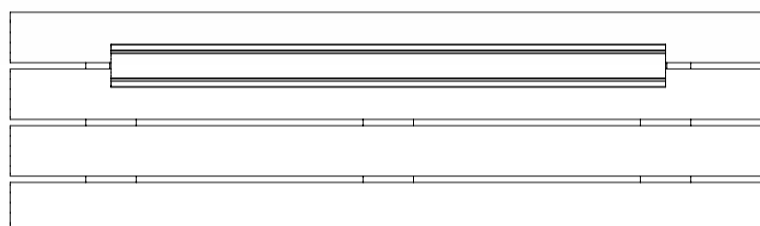


Santa & Cole Comunitario Seat 3000mm Long



Colours / finishes shown are indicative only and may differ in reality.



MATERIALS

- Timber**
 - H3.2 clear laminated pine blocks as standard
- Steelwork**
 - Mild steel as standard
- Hardware / Fasteners**
 - Galvanised

FINISHES

- Penetrating oil as standard
- Hot dip galvanised and **powdercoated** as standard

FINISH OPTIONS

- Graffiti guard / Clear sealant
- Custom paint options

OPTIONS

- Surface mounted as standard
- **Skate deterrents**

DIMENSIONS

- 3000L x 780H x 875D as standard

WEIGHT

- 295Kg

• Made to order and can be customised to suit clients requirements. **Design is copyright to Santa & Cole (Spain)**, manufactured under technical licence **exclusively by Fel Group Limited**

• Furniture is not supplied with installation instructions, install fastenings or footing details. These are to be specified and determined by the installing contractor for the specific requirements of each site.