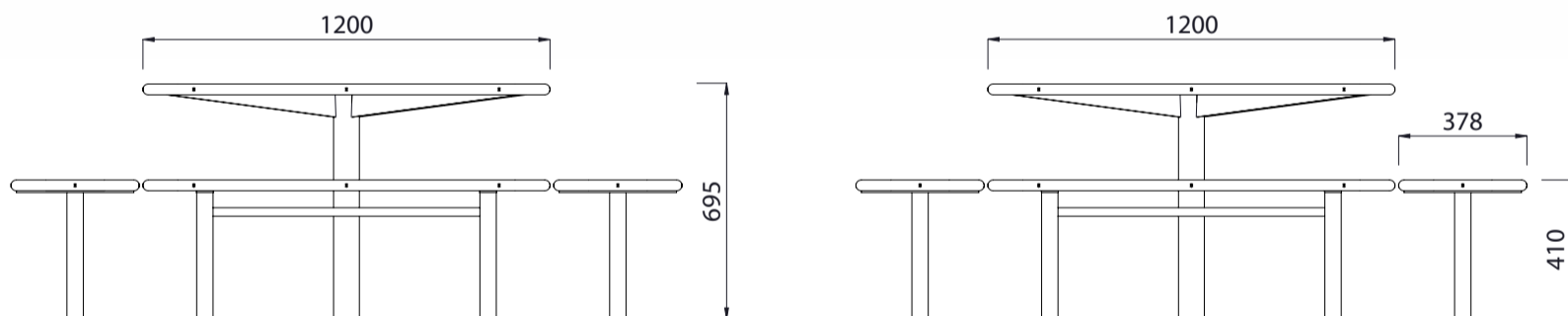


DM Picnic Set 1200 x 1200 Perforated



Colours / finishes shown are indicative only and may differ in reality.



	MATERIALS	FINISHES	FINISH OPTIONS
Steelwork	<ul style="list-style-type: none"> Mild steel perforated table / bench pan Mild steel hot dip galvanised frame 	<ul style="list-style-type: none"> Powdercoated as standard 	<ul style="list-style-type: none"> Custom paint options
Hardware / Fasteners	<ul style="list-style-type: none"> Stainless steel 		
	OPTIONS	DIMENSIONS	WEIGHT
	<ul style="list-style-type: none"> Post plant mounted as standard Laser cut or punched design into table / bench pan 	<ul style="list-style-type: none"> 1200Lx 695H x 1200D (Table) 1200L x 410H x 378D (Bench) 	<ul style="list-style-type: none"> 35Kg 15Kg (Each)

- Part of the 'DM' furniture suite. Made to order and can be customised to suit clients requirements.
- Furniture is not supplied with installation instructions, install fastenings or footing details. These are to be specified and determined by the installing contractor for the specific requirements of each site.

DM Steel Suite Complementing Furniture



DM Steel Picnic Set 1200x1200



DM Steel Picnic Set 1200x700



DM Steel Table 1200x1200



DM Steel Table 1200x700



DM Steel Bench 1200L