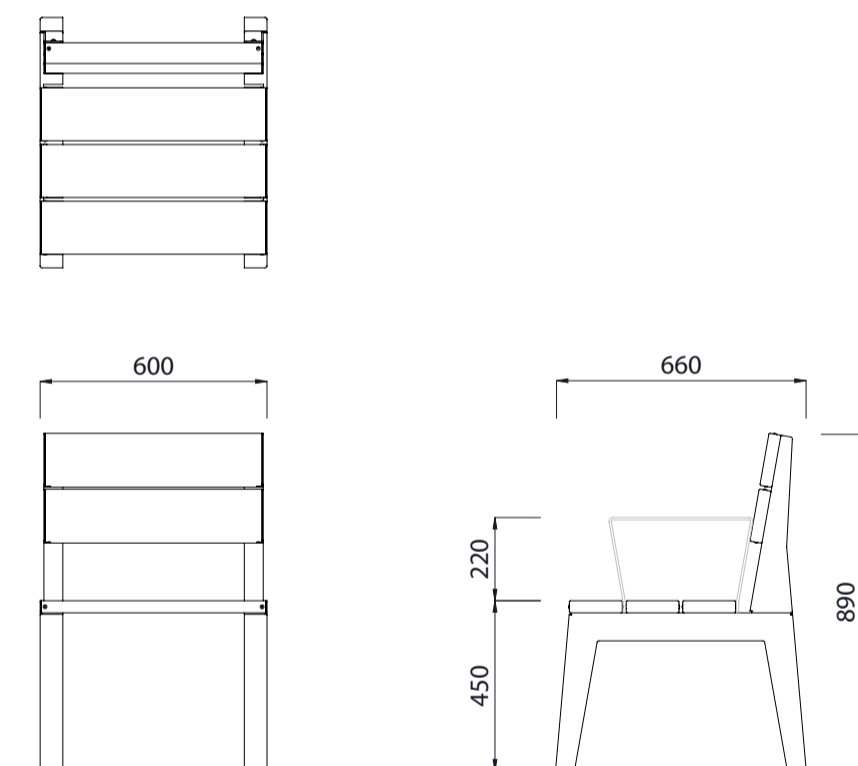


Mobilia Single Chair Steel Slats



Colours / finishes shown are indicative only and may differ in reality. Seat shown with optional armrests.



MATERIALS

- Steelwork**
 - Mild steel frame and slats
- Hardware / Fasteners**
 - Stainless steel

OPTIONS

- Surface mounted as standard
- Armrests to both ends
- Timber slats

FINISHES

- Hot dip galvanised and **powdercoated**

DIMENSIONS

- 600L x 890H x 660D
- 1800L x 890H x 660D

FINISH OPTIONS

- Custom paint options

WEIGHT

- 35Kg
- 65Kg

- Part of the 'Mobilia' furniture suite. Made to order and can be customised to suit clients requirements.
- Furniture is not supplied with installation instructions, install fastenings or footing details. These are to be specified and determined by the installing contractor for the specific requirements of each site.

Mobilia Steel Suite Complementing Furniture



Mobilia Steel Seat 1800L With Optional Armrests



Mobilia Steel Chair 600L With Optional Armrests



Mobilia Steel Bench 1800L With Optional Armrests



Mobilia Narrow Steel Bench 1800L



Mobilia Steel Picnic Set 1800L



Mobilia Steel Stool 500L



Mobilia Double Bin



Mobilia Single Bin