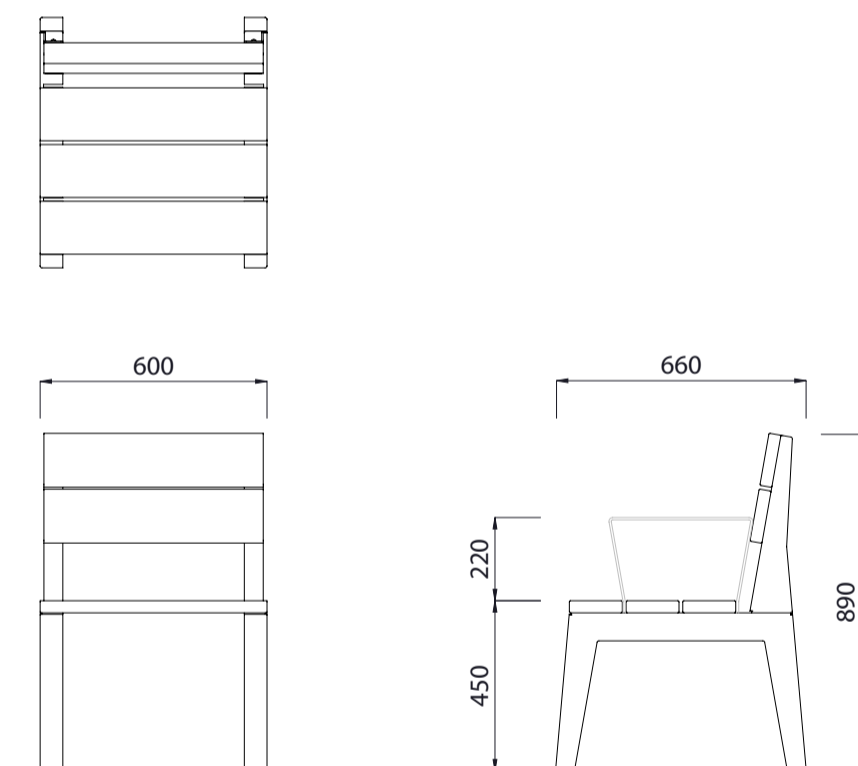


# Mobilia Single Chair Timber Slats



Colours / finishes shown are indicative only and may differ in reality. Seat shown with optional armrests.



## MATERIALS

- Timber (Hardwood)**
  - Vitex as standard
  - Other species available on request
- Steelwork**
  - Mild steel as standard
- Hardware / Fasteners**
  - Stainless steel

## OPTIONS

- Surface mounted as standard
- Armrests to both ends
- Steel slats

## FINISHES

- Un-sealed (Natural) as standard
- Hot dip galvanised and [powdercoated](#)

## DIMENSIONS

- 600L x 890H x 660D
- [1800L x 890H x 660D](#)

## FINISH OPTIONS

- Penetrating oil / Graffiti guard / Clear sealant
- Custom paint options

## WEIGHT

- 30Kg
- 55Kg

- Part of the 'Mobilia' furniture suite. Made to order and can be customised to suit clients requirements.
- Furniture is not supplied with installation instructions, install fastenings or footing details. These are to be specified and determined by the installing contractor for the specific requirements of each site.

# Mobilia Timber Suite Complementing Furniture



Mobilia Timber Seat 1800L With Optional Armrests



Mobilia Timber Chair 600L With Optional Armrests



Mobilia Timber Bench 1800L With Optional Armrests



Mobilia Narrow Timber Bench 1800L



Mobilia Timber Picnic Set 1800L



Mobilia Timber Stool 500L



Mobilia Double Bin



Mobilia Single Bin