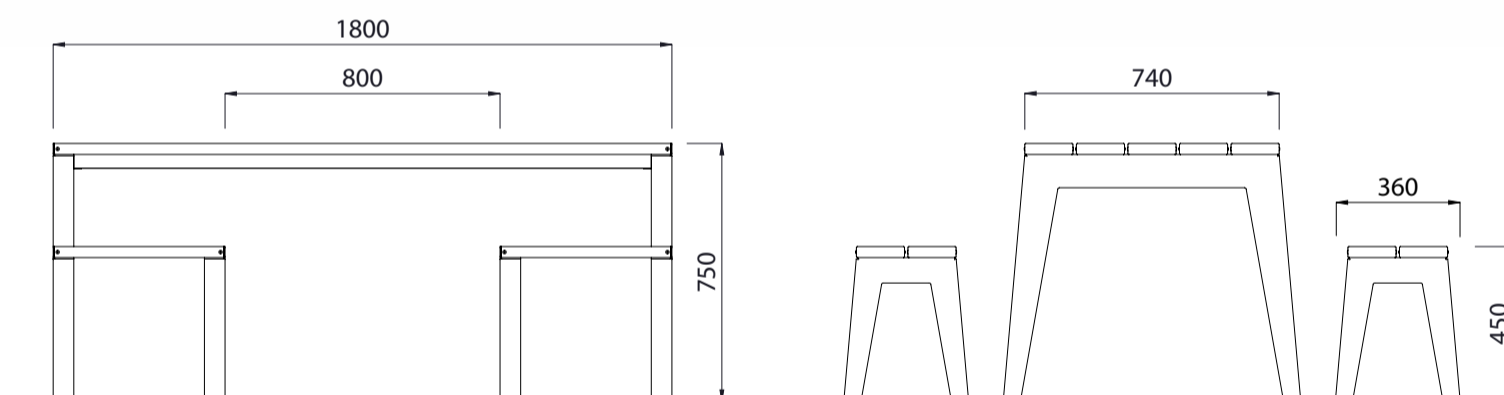


Mobilia Picnic Set Steel Slats



Colours / finishes shown are indicative only and may differ in reality.



	MATERIALS	FINISHES	FINISH OPTIONS
Steelwork	• Mild steel frame and slats	• Hot dip galvanised and powdercoated	• Custom paint options
Hardware / Fasteners	• Stainless steel		
	OPTIONS	DIMENSIONS	WEIGHT
	<ul style="list-style-type: none"> • Surface mounted as standard • Stool or bench seating • Timber slats or mixed 	<ul style="list-style-type: none"> • 1800L x 750H x 740D (Table) • 500L x 450H x 290D (Stool) 	<ul style="list-style-type: none"> • 78Kg • 17Kg (Each)

- Part of the 'Mobilia' furniture suite. Made to order and can be customised to suit clients requirements.
- Furniture is not supplied with installation instructions, install fastenings or footing details. These are to be specified and determined by the installing contractor for the specific requirements of each site.

Mobilia Steel Suite Complementing Furniture



Mobilia Steel Seat 1800L With Optional Armrests



Mobilia Steel Chair 600L With Optional Armrests



Mobilia Steel Bench 1800L With Optional Armrests



Mobilia Narrow Steel Bench 1800L



Mobilia Steel Picnic Set 1800L



Mobilia Steel Stool 500L



Mobilia Double Bin



Mobilia Single Bin