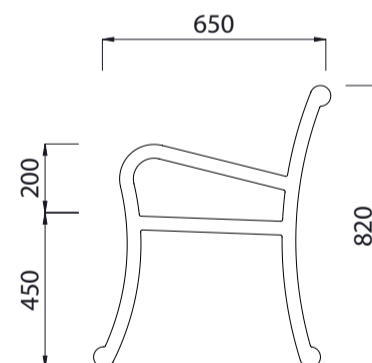
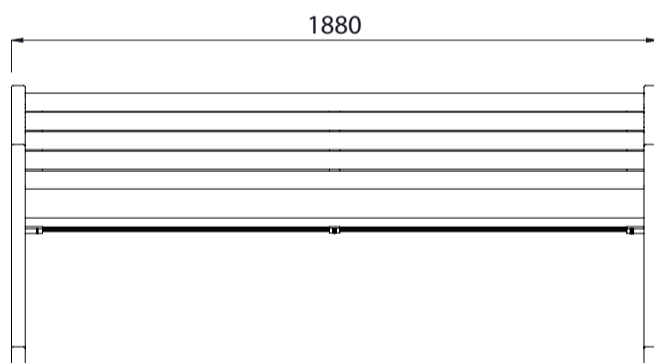
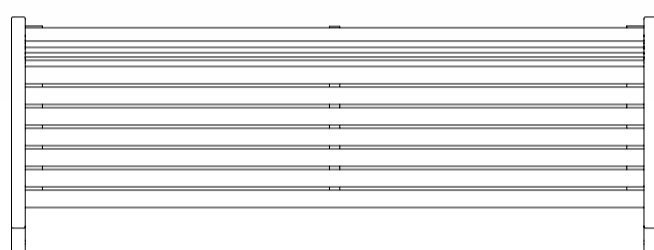


Parkside Seat Steel Slats



Colours / finishes shown are indicative only and may differ in reality.



MATERIALS

Steelwork

- Cast aluminium leg frames
- Steel slats

Hardware / Fasteners

- Stainless steel

OPTIONS

- Plant mounted with inserts, surface mounted or freestanding
- Skate deterrents

FINISHES

- Powdercoated as standard

DIMENSIONS

- 1880L x 820H x 650D as standard

FINISH OPTIONS

- Custom paint options

WEIGHT

- 60Kg

- Made to order and can be customised to suit clients requirements.
- Furniture is not supplied with installation instructions, install fastenings or footing details. These are to be specified and determined by the installing contractor for the specific requirements of each site.