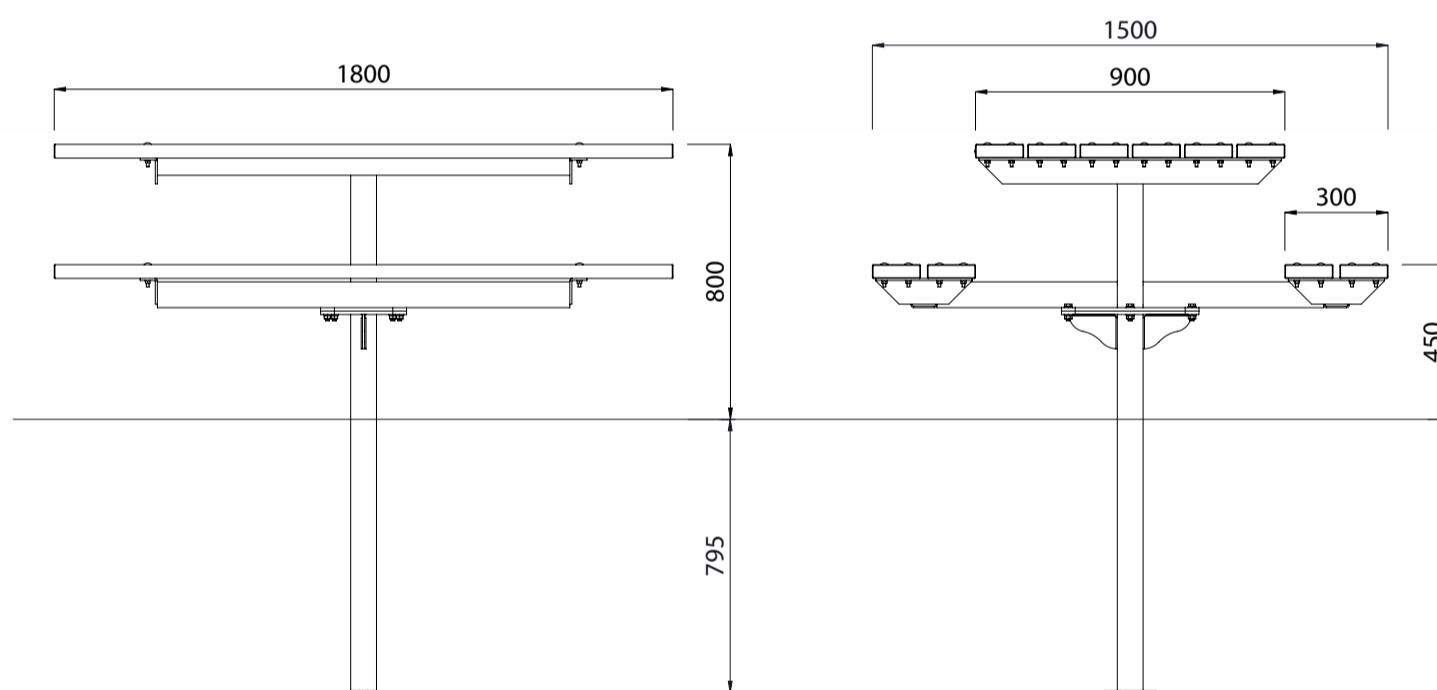


Portland Picnic Set Single Leg



Colours / finishes shown are indicative only and may differ in reality.



MATERIALS

- Timber (Hardwood)**
 - Vitex as standard
 - Other species available on request
- Timber (Softwood)**
 - Pine
- Steelwork**
 - Mild steel
- Hardware / Fasteners**
 - Galvanised

FINISHES

- Un-sealed (Natural) as standard
- H3.2 tanalised as standard
- Hot dip galvanised and **powdercoated**

FINISH OPTIONS

- Penetrating oil / Graffiti guard / Clear sealant
- Custom paint options

OPTIONS

- Post plant mounted as standard
- Umbrella hole

DIMENSIONS

- 1800L x 800H x 1500D as standard

WEIGHT

- 130Kg

- Part of the 'Portland' furniture suite. Made to order and can be customised to suit clients requirements.
- Furniture is not supplied with installation instructions, install fastenings or footing details. These are to be specified and determined by the installing contractor for the specific requirements of each site.

Portland Suite Complementing Furniture



Portland Seat 1800L With Optional Armrests



Portland Seat AC 1800L



Portland Bench 1800L With Optional Armrests



Portland Bench AC 1800L



Portland Picnic Set 1800L



Portland Picnic Set AC Single Leg 1800L