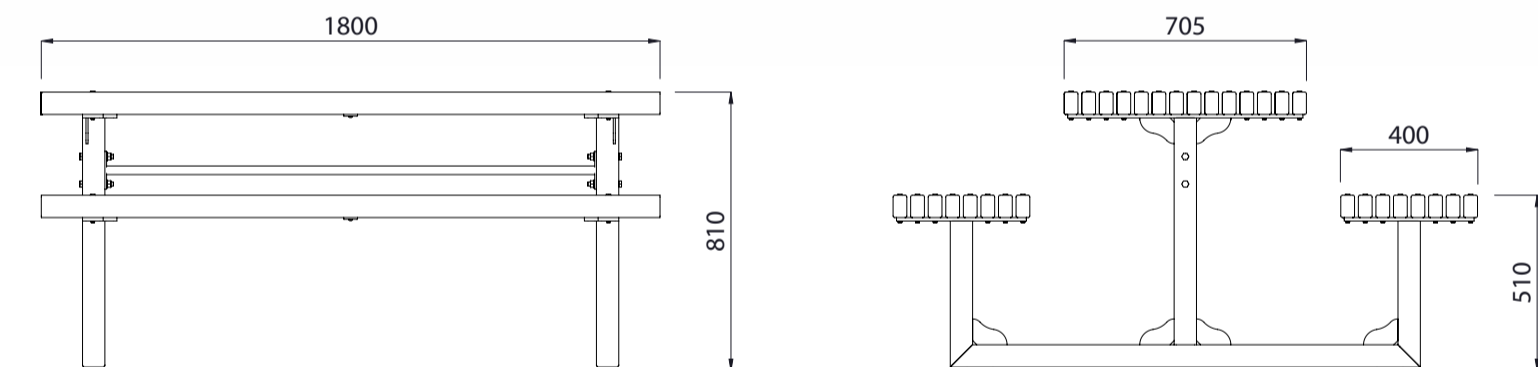


# Sandringham Picnic Set Free-Standing



Colours / finishes shown are indicative only and may differ in reality.



	MATERIALS	FINISHES	FINISH OPTIONS
<b>Timber (Hardwood)</b>	<ul style="list-style-type: none"> <li>Vitex as standard</li> <li>Other species available on request</li> </ul>	<ul style="list-style-type: none"> <li>Un-sealed (Natural) as standard</li> </ul>	<ul style="list-style-type: none"> <li>Penetrating oil / Graffiti guard / Clear sealant</li> </ul>
<b>Steelwork</b>	<ul style="list-style-type: none"> <li>Mild steel as standard</li> </ul>	<ul style="list-style-type: none"> <li>Hot dip galvanised and powdercoated</li> </ul>	<ul style="list-style-type: none"> <li>Custom paint options</li> </ul>
<b>Hardware / Fasteners</b>	<ul style="list-style-type: none"> <li>Stainless steel with brass cap nuts</li> </ul>		
	OPTIONS	DIMENSIONS	WEIGHT
<ul style="list-style-type: none"> <li>Freestanding</li> </ul>		<ul style="list-style-type: none"> <li>1800L x 810H x 705D (Table)</li> <li>1800L x 510H x 400D (Bench)</li> </ul>	<ul style="list-style-type: none"> <li>170Kg</li> </ul>

- Part of the 'Sandringham' furniture suite. Made to order and can be customised to suit clients requirements.
- Furniture is not supplied with installation instructions, install fastenings or footing details. These are to be specified and determined by the installing contractor for the specific requirements of each site.

# Sandringham Suite Complementing Furniture



Sandringham Picnic Set 1800L



Sandringham Picnic Set Freestanding 1800L



Sandringham Picnic Set AC Single leg 1800L



Sandringham Table 1800L



Sandringham Bench 1800L