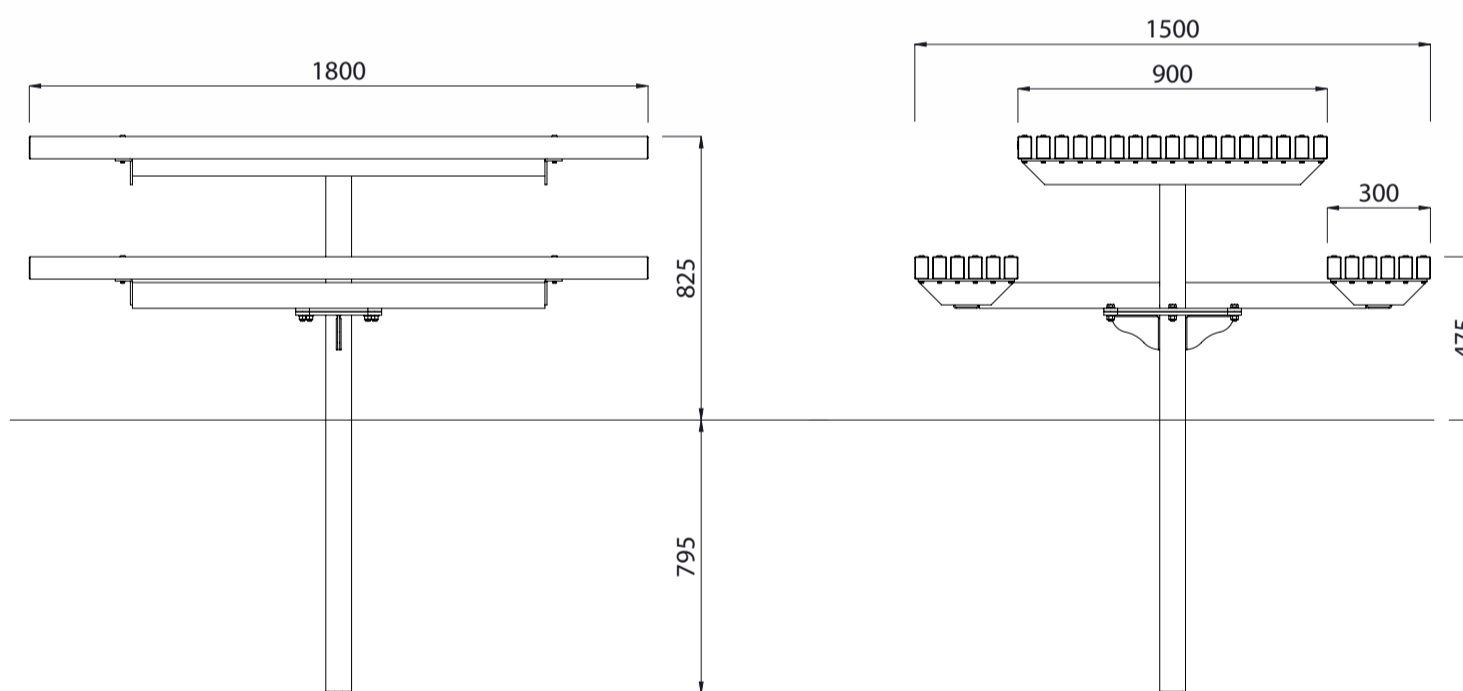


Sandringham Picnic Set AC Single Leg



Meets Accessibility Standards NZS4121-2001.
Colours / finishes shown are indicative only and may differ in reality.



MATERIALS

- Timber (Hardwood)**
 - Vitex as standard
 - Other species available on request
- Steelwork**
 - Mild steel as standard
- Hardware / Fasteners**
 - Stainless steel with brass cap nuts

OPTIONS

- Post plant mounted as standard
- Umbrella hole

FINISHES

- Un-sealed (Natural) as standard
- Hot dip galvanised and powdercoated

FINISH OPTIONS

- Penetrating oil / Graffiti guard / Clear sealant
- Custom paint options

DIMENSIONS

- 1800L x 825H x 1500D Standard Table

WEIGHT

- 150Kg

- Part of the 'Sandringham' furniture suite. Made to order and can be customised to suit clients requirements.
- Furniture is not supplied with installation instructions, install fastenings or footing details. These are to be specified and determined by the installing contractor for the specific requirements of each site.

Sandringham Suite Complementing Furniture



Sandringham Picnic Set 1800L



Sandringham Picnic Set Freestanding 1800L



Sandringham Picnic Set AC Single leg 1800L



Sandringham Table 1800L



Sandringham Bench 1800L