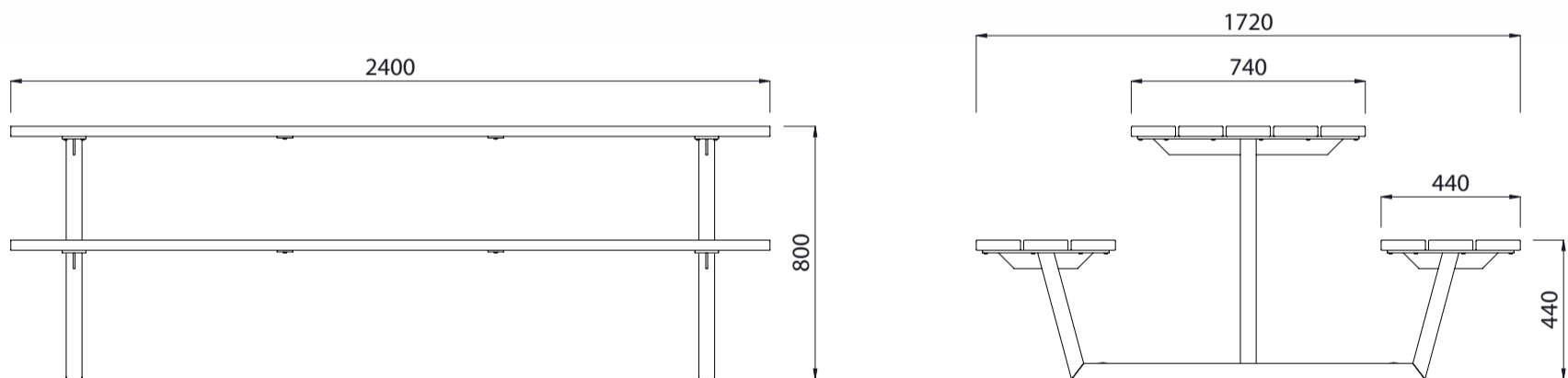


# Tatahi Picnic Set 2400mm Long



Colours / finishes shown are indicative only and may differ in reality.



	<b>MATERIALS</b>	<b>FINISHES</b>	<b>FINISH OPTIONS</b>
<b>Timber (Hardwood)</b>	<ul style="list-style-type: none"> <li>• Vitex as standard</li> <li>• Other species available on request</li> </ul>	<ul style="list-style-type: none"> <li>• Un-sealed (Natural) as standard</li> <li>• Hot dip galvanised and <b>powdercoated</b></li> </ul>	<ul style="list-style-type: none"> <li>• Penetrating oil / Graffiti guard / Clear sealant</li> <li>• Custom paint options</li> </ul>
<b>Steelwork</b>	<ul style="list-style-type: none"> <li>• Mild steel as standard</li> </ul>		
<b>Hardware / Fasteners</b>	<ul style="list-style-type: none"> <li>• Stainless steel</li> </ul>		
	<b>OPTIONS</b>	<b>DIMENSIONS</b>	<b>WEIGHT</b>
<ul style="list-style-type: none"> <li>• Plant mounted with inserts, surface mounted or freestanding</li> <li>• Umbrella hole</li> </ul>	<ul style="list-style-type: none"> <li>• 2400L x 800H x 1720D as standard</li> </ul>	<ul style="list-style-type: none"> <li>• 140Kg</li> </ul>	

- Part of the 'Tatahi' furniture suite. Made to order and can be customised to suit clients requirements.
- Furniture is not supplied with installation instructions, install fastenings or footing details. These are to be specified and determined by the installing contractor for the specific requirements of each site.