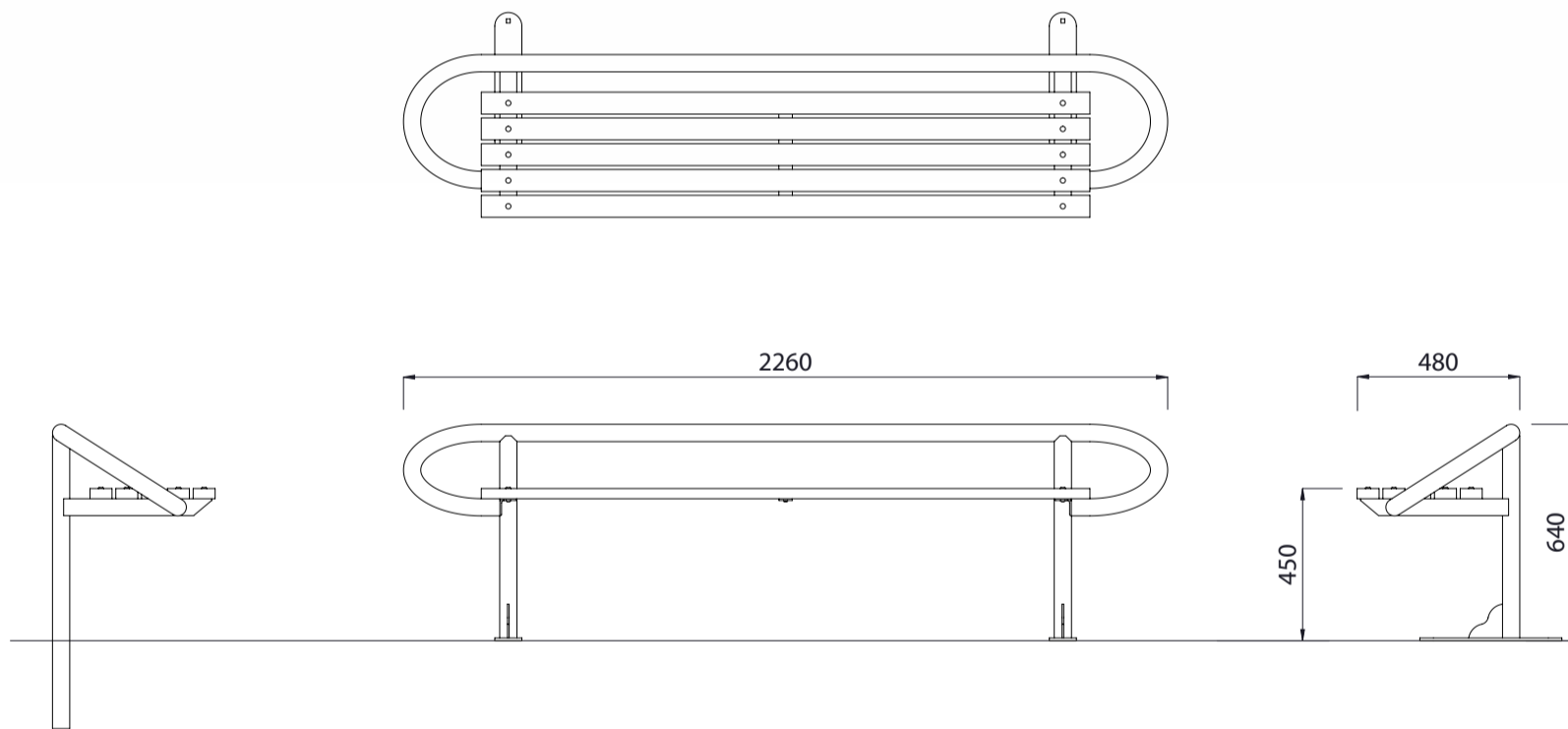


Tubular Seat



Colours / finishes shown are indicative only and may differ in reality.



	MATERIALS	FINISHES	FINISH OPTIONS
Timber (Hardwood)	<ul style="list-style-type: none"> Vitex as standard Other species available on request 	<ul style="list-style-type: none"> Un-sealed (Natural) as standard 	<ul style="list-style-type: none"> Penetrating oil / Graffiti guard / Clear sealant
Steelwork	<ul style="list-style-type: none"> Mild Steel 304 Stainless Steel 	<ul style="list-style-type: none"> Hot dip galvanised and powdercoated Electropolished as standard 	<ul style="list-style-type: none"> Custom paint options
Hardware / Fasteners	<ul style="list-style-type: none"> Stainless steel 		
	OPTIONS	DIMENSIONS	WEIGHT
	<ul style="list-style-type: none"> Post plant or Surface mounted Skate deterrents 	<ul style="list-style-type: none"> 2260L x 640H x 480D as standard 	<ul style="list-style-type: none"> 31Kg

- Made to order and can be customised to suit clients requirements.
- Furniture is not supplied with installation instructions, install fastenings or footing details. These are to be specified and determined by the installing contractor for the specific requirements of each site.