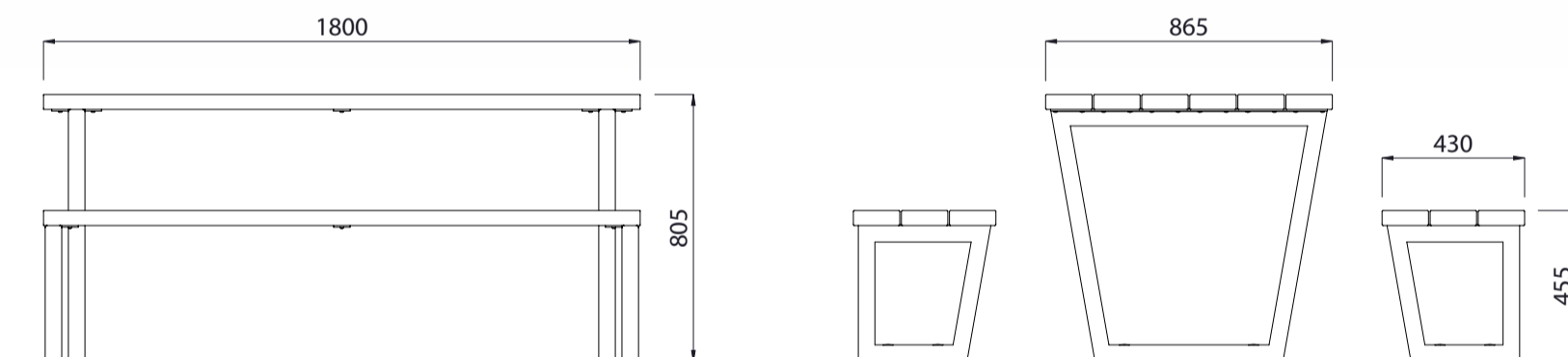


Villa Picnic Set 1800mm Long



Colours / finishes shown are indicative only and may differ in reality.



MATERIALS

- Timber (Hardwood)**
 - Vitex as standard
 - Other species available on request
- Steelwork**
 - Mild steel as standard
- Hardware / Fasteners**
 - Stainless steel

FINISHES

- Un-sealed (Natural) as standard
- Hot dip galvanised and [powdercoated](#)

FINISH OPTIONS

- Penetrating oil / Graffiti guard / Clear sealant
- Custom paint options

OPTIONS

- Plant mounted with inserts, surface mounted or freestanding

DIMENSIONS

- 1800L x 805H x 865D (Table)
- 1800L x 455H x 430D (Bench)

WEIGHT

- 85Kg
- 40Kg (Each)

- Part of the 'Villa' furniture suite. Made to order and can be customised to suit clients requirements.
- Furniture is not supplied with installation instructions, install fastenings or footing details. These are to be specified and determined by the installing contractor for the specific requirements of each site.

Villa Suite Complementing Furniture



Villa Seat 1800L



Villa Seat 2400L



Villa Bench 1800L



Villa Bench 2400L



Villa Picnic Set 1800L



Villa Picnic Set 2400L



Villa Table 1800L or 2400L



Villa Leaner 1800L or 2400L