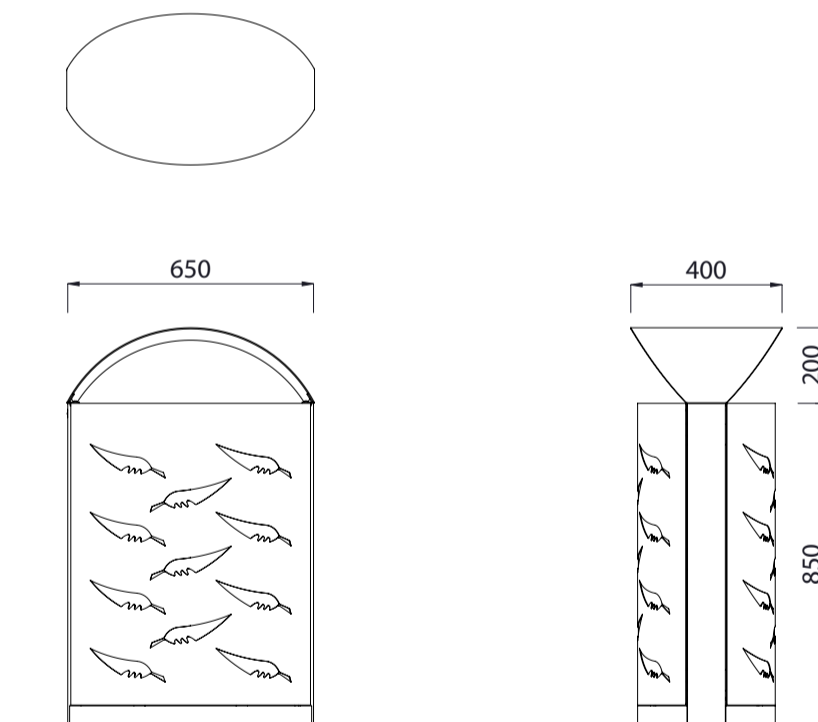




Colours / finishes shown are indicative only and may differ in reality. .



MATERIALS

Steelwork

- Mild steel as standard
- Stainless steel

Hardware / Fasteners

- Stainless steel

OPTIONS

- Surface mounted as standard
- Laser cut logo / design into wrap
- Plastic liner as standard with 70L capacity

FINISHES

- Powdercoated as standard
- Electropolished

DIMENSIONS

- 650L x 1050H x 400D

FINISH OPTIONS

- Custom paint options

WEIGHT

- 45Kg

- Made to order and can be customised to suit clients requirements.

Auckland Council / Auckland Transport specified design, manufactured by Fel Group.

- Furniture is not supplied with installation instructions, install fastenings or footing details. These are to be specified and determined by the installing contractor for the specific requirements of each site.