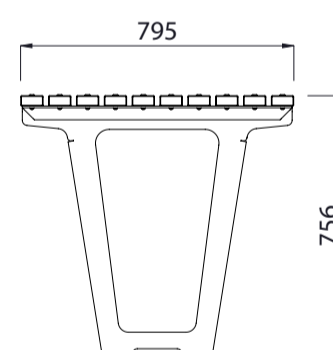
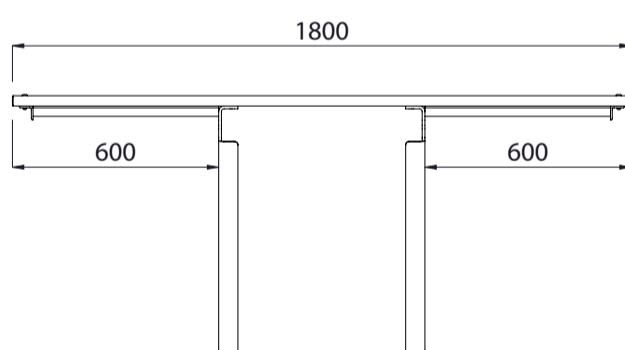
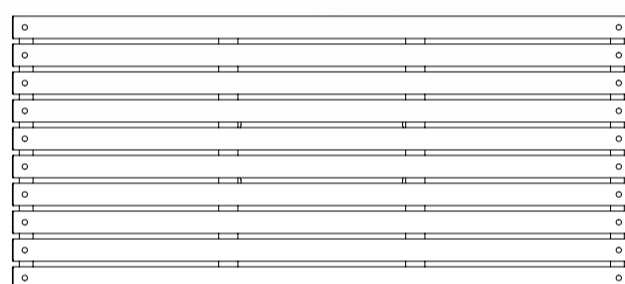




Meets Accessibility Standards NZS4121-2001.
Colours / finishes shown are indicative only and may differ in reality.



MATERIALS

- Timber (Hardwood)**
 - Vitex as standard
 - Other species available on request
- Steelwork**
 - Mild steel
- Hardware / Fasteners**
 - Stainless steel with brass cap nuts

FINISHES

- Un-sealed (Natural) as standard
- Hot dip galvanised and **powdercoated**

FINISH OPTIONS

- Penetrating oil / Graffiti guard / Clear sealant
- Custom paint options

OPTIONS

- Plant mounted with inserts or surface mounted

DIMENSIONS

- 1800L x 756H x 795D

WEIGHT

- 60Kg

• Part of the 'Furphy Civic' suite. Made to order and can be customised to suit clients requirements. **Design is copyright to Furphy Foundry (Australia)**, manufactured under technical licence **exclusively by Fel Group Limited**

• Furniture is not supplied with installation instructions, install fastenings or footing details. These are to be specified and determined by the installing contractor for the specific requirements of each site.

Civic Suite Complementing Furniture



Civic Seat 1800L



Civic Bench 1800L



Civic Picnic Set 1800L



Civic Picnic Set AC 1800L



Civic Table 1800L



Civic Table AC 1800L