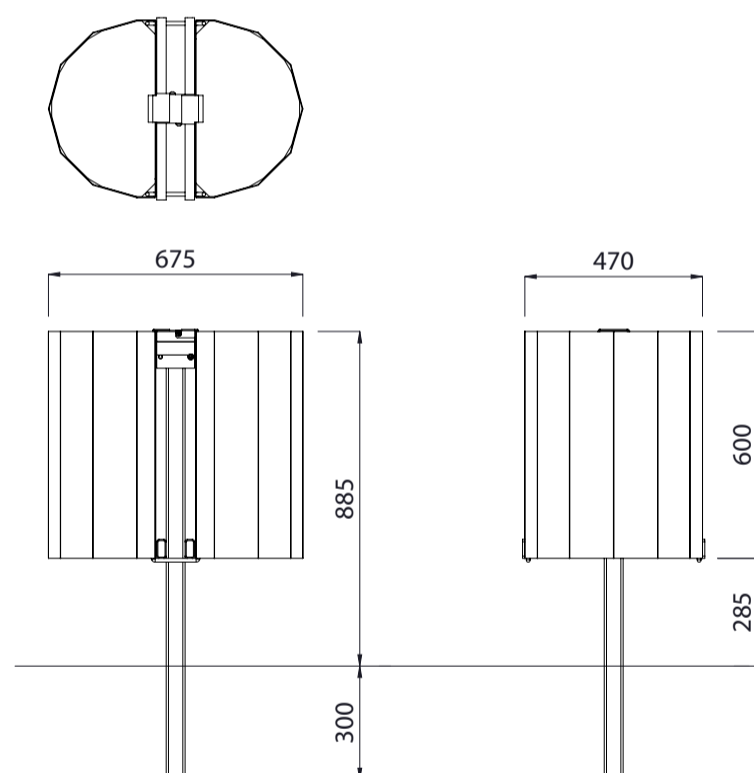


D-Bin Double 55L Removable Type



Colours / finishes shown are indicative only and may differ in reality.



MATERIALS

Steelwork

- Mild steel as standard

Hardware / Fasteners

- Stainless steel

OPTIONS

- Plant mounted as standard
- Hinged lid option
- Body removable from post (lockable)

FINISHES

- Wrap electro-plated and **powdercoated**
- Post hot dip galvanised

DIMENSIONS

- 470W x 885H x 675D as standard

FINISH OPTIONS

- Graffiti guard

WEIGHT

- 32Kg

- Made to order and can be customised to suit clients requirements.
- Furniture is not supplied with installation instructions, install fastenings or footing details. These are to be specified and determined by the installing contractor for the specific requirements of each site.