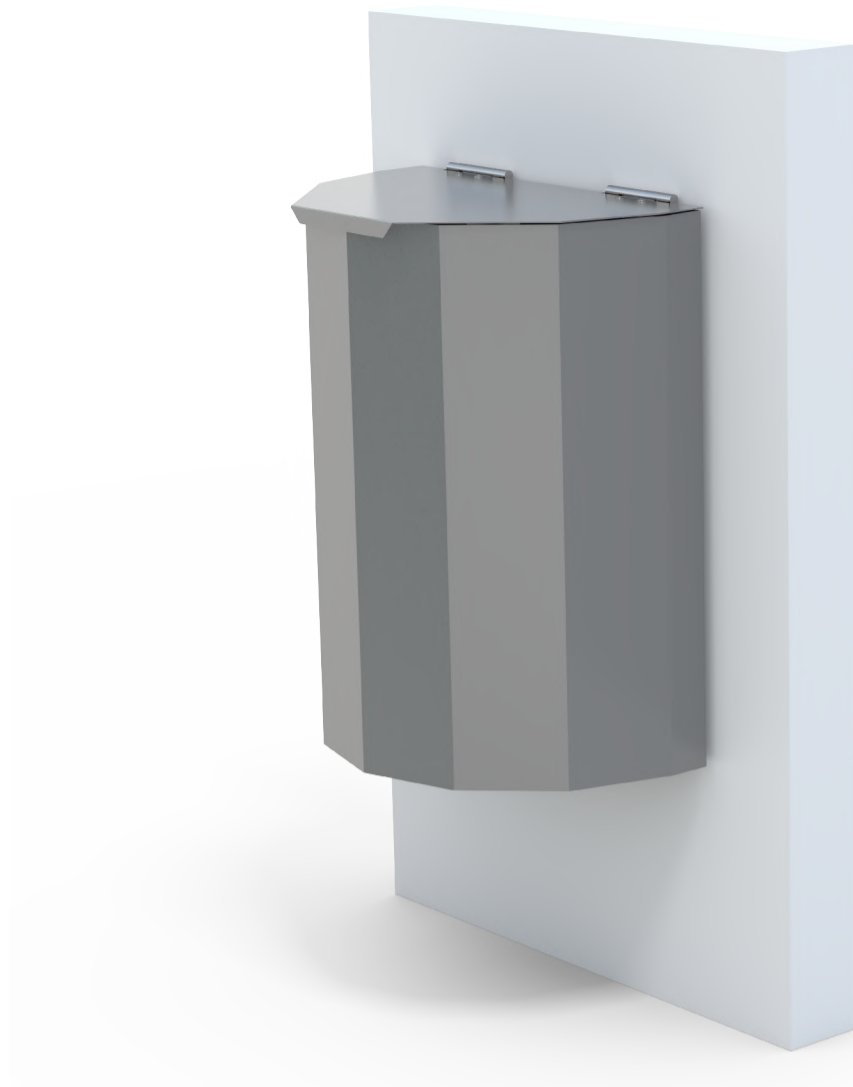
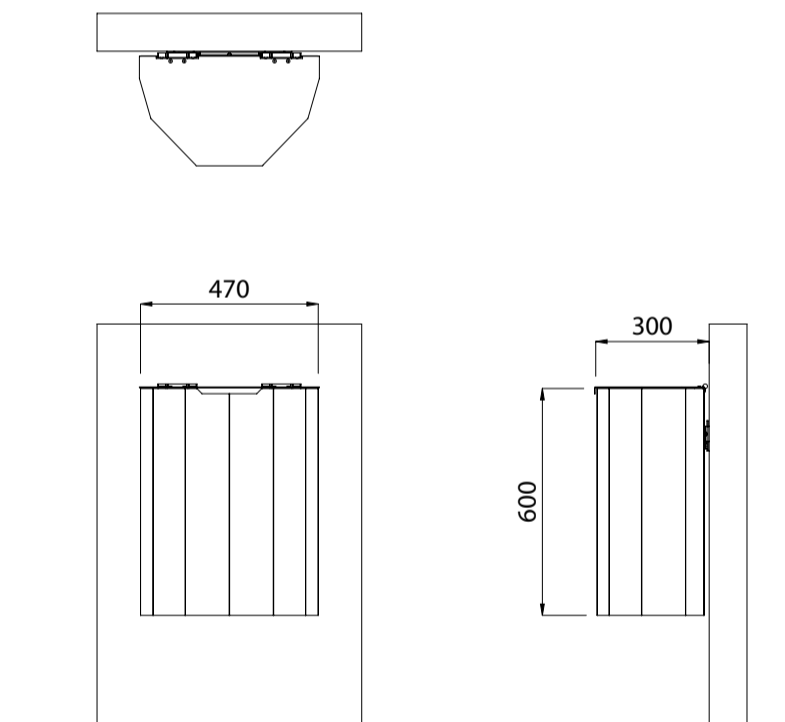


D-Bin Wall Fixed 55L



Colours / finishes shown are indicative only and may differ in reality.



	MATERIALS	FINISHES	FINISH OPTIONS
Steelwork	<ul style="list-style-type: none"> Mild steel as standard 	<ul style="list-style-type: none"> Wrap electro-plated and powdercoated Mounting brackets hot dip galvanised 	<ul style="list-style-type: none"> Graffiti guard
Hardware / Fasteners	<ul style="list-style-type: none"> Stainless steel 		
	OPTIONS	DIMENSIONS	WEIGHT
<ul style="list-style-type: none"> Hinged lid option Laser cut logo / design 		<ul style="list-style-type: none"> 470WL x 600H x 300D as standard 	<ul style="list-style-type: none"> 16Kg

- Made to order and can be customised to suit clients requirements.
- Furniture is not supplied with installation instructions, install fastenings or footing details. These are to be specified and determined by the installing contractor for the specific requirements of each site.