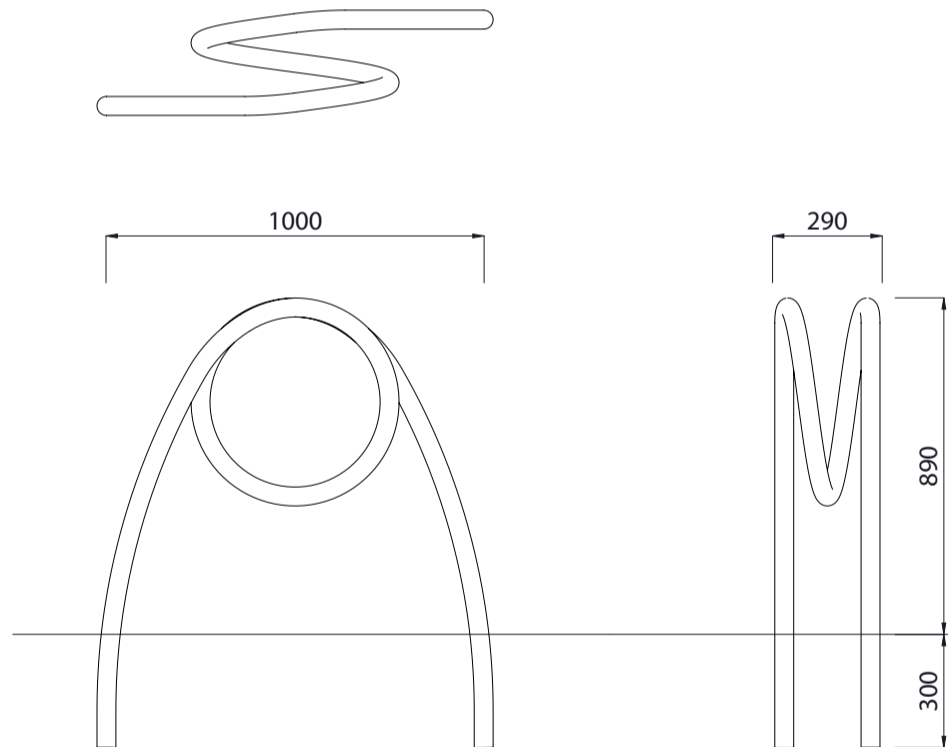


Link Cycle Stand Double



Colours / finishes shown are indicative only and may differ in reality.



	MATERIALS	FINISHES	FINISH OPTIONS
Steelwork	<ul style="list-style-type: none"> • 316 Stainless steel as standard 	<ul style="list-style-type: none"> • Electropolished or Buff polished (hand rubbed satin finish) or Bead blasted 	<ul style="list-style-type: none"> • Custom paint options
	OPTIONS	DIMENSIONS	WEIGHT
	<ul style="list-style-type: none"> • Plant mounted as standard 	<ul style="list-style-type: none"> • 1000L x 890H x 290W 	<ul style="list-style-type: none"> • 8Kg

- Made to order and can be customised to suit clients requirements.
- Furniture is not supplied with installation instructions, install fastenings or footing details. These are to be specified and determined by the installing contractor for the specific requirements of each site.