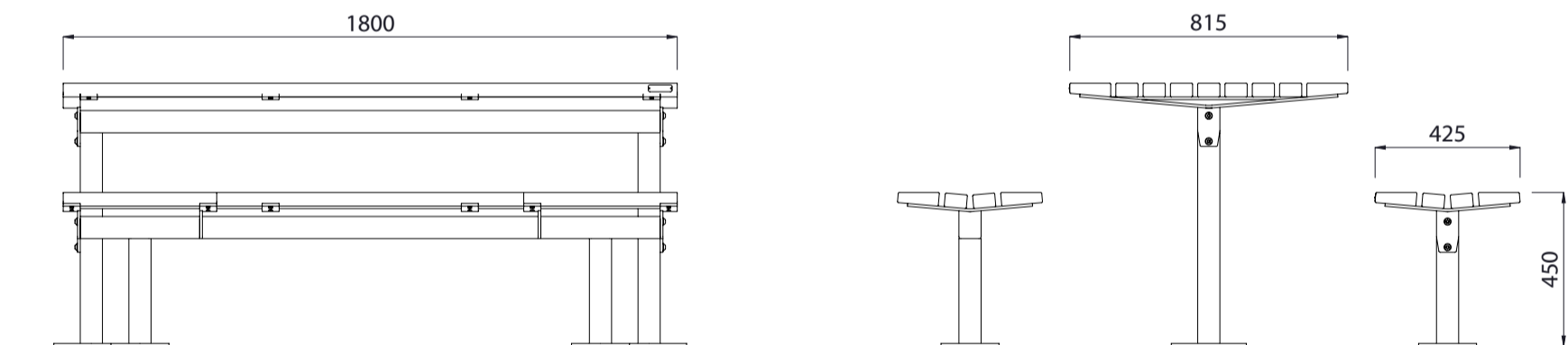


Marlborough Picnic Set AC 1800mm Long



Meets Accessibility Standards NZS4121-2001.
Colours / finishes shown are indicative only and may differ in reality.



MATERIALS

- Timber (Hardwood)**
 - Vitex as standard
 - Other species available on request
- Steelwork**
 - Mild steel as standard
- Hardware / Fasteners**
 - Stainless steel

FINISHES

- Un-sealed (Natural) as standard
- Hot dip galvanised and powdercoated as standard

FINISH OPTIONS

- Penetrating oil / Graffiti guard / Clear sealant
- Custom paint options

OPTIONS

- Plant or surface mounted
- With benches or stools

DIMENSIONS

- 1800L x 450H x 425D Bench
- 1800L x 810H x 815D Table
- 450L x 450H x 425D Stool

WEIGHT

- 40Kg
- 55Kg
- 21Kg

- Part of the 'Marlborough' furniture suite. Made to order and can be customised to suit clients requirements.
- Furniture is not supplied with installation instructions, install fastenings or footing details. These are to be specified and determined by the installing contractor for the specific requirements of each site.

Marlborough Suite Complementing Furniture



Marlborough Seat 1800L



Marlborough Seat AC 1800L



Marlborough Bench 1800L



Marlborough Bench AC 1800L



Marlborough Narrow Bench 1800L



Marlborough Narrow Bench AC 1800L



Marlborough Picnic Set 1800L



Marlborough Stool 450L