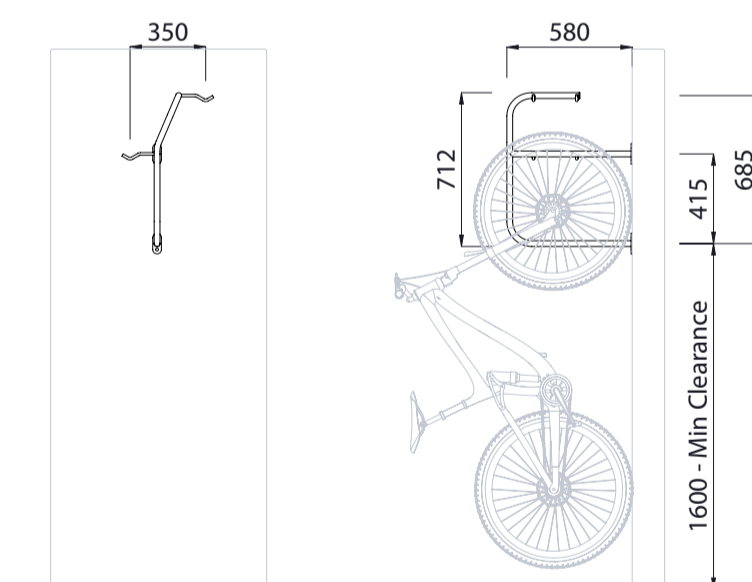
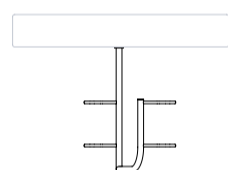


# Motu Cycle Rack

## 2 Berth Wall Mounted



Colours / finishes shown are indicative only and may differ in reality.



	<p><b>MATERIALS</b></p> <ul style="list-style-type: none"> <li>• Mild steel</li> <li>• 304 Stainless steel</li> </ul> <p><b>OPTIONS</b></p> <ul style="list-style-type: none"> <li>• Wall mounted as standard</li> <li>• Clear PVC coated hanging hooks as standard</li> </ul>	<p><b>FINISHES</b></p> <ul style="list-style-type: none"> <li>• Hot dip galvanised only or Hot dip galvanised and powdercoated</li> <li>• Electropolished as standard</li> </ul> <p><b>DIMENSIONS</b></p> <ul style="list-style-type: none"> <li>• 580L x 712H x 425D</li> </ul>	<p><b>FINISH OPTIONS</b></p> <ul style="list-style-type: none"> <li>• Custom paint options</li> </ul> <p><b>WEIGHT</b></p> <ul style="list-style-type: none"> <li>• 3Kg</li> </ul>
--	--	--	--

- Made to order and can be customised to suit clients requirements.
- Furniture is not supplied with installation instructions, install fastenings or footing details. These are to be specified and determined by the installing contractor for the specific requirements of each site.