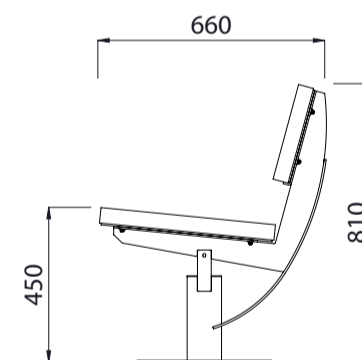
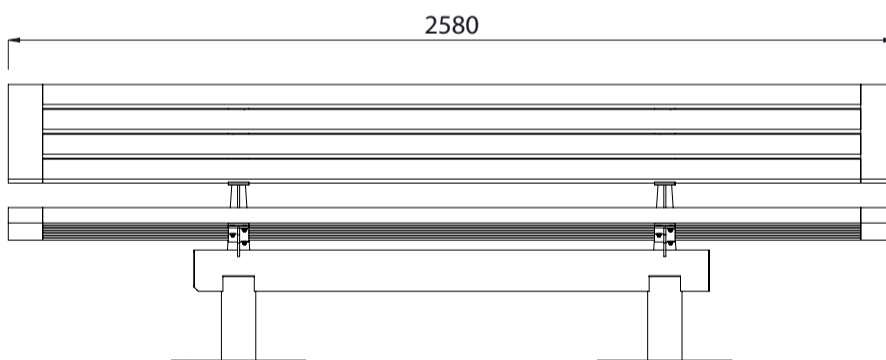
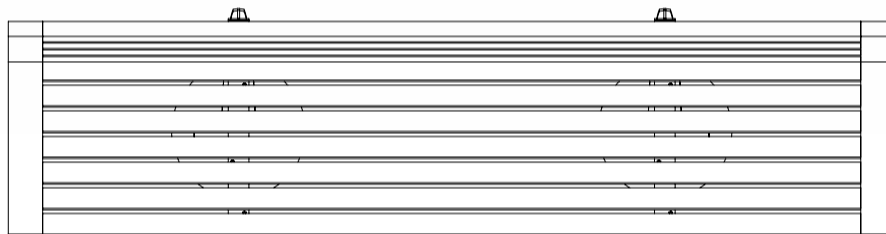


Santa & Cole Nu Seat

2580mm Long with Timber Back



Colours / finishes shown are indicative only and may differ in reality.



MATERIALS

- Timber (Hardwood)**
 - Vitex as standard
 - Other species available on request
- Steelwork**
 - Mild steel as standard
- Hardware / Fasteners**
 - Stainless steel

FINISHES

- Un-sealed (Natural) as standard
- Hot dip galvanised and powdercoated as standard

FINISH OPTIONS

- Penetrating oil / Graffiti guard / Clear sealant
- Custom paint options

OPTIONS

- Surface mounted as standard

DIMENSIONS

- 2580L x 810H x 660D Timber back
- 3700L x 810H x 660D Timber back
- 2580L x 810H x 660D Timber half back
- 3700L x 840H x 670D Steel back

WEIGHT

- 112Kg
- 160Kg
- 98Kg
- 150Kg

• Part of the 'Santa & Cole Nu' suite. Made to order and can be customised to suit clients requirements. Design is copyright to Santa & Cole (Spain), manufactured under technical licence exclusively by Fel Group Limited

• Furniture is not supplied with installation instructions, install fastenings or footing details. These are to be specified and determined by the installing contractor for the specific requirements of each site.

Santa & Cole Nu Suite Complementing Furniture



Nu Seat 3700mm Long with Perforated Steel Backrest



Nu Seat 3700mm Long with Timber Backrest



Nu Seat 2580mm Long with Timber Backrest



Nu Seat 2580mm Long with Timber Half Backrest



Nu Bench 3700mm Long



Nu Bench 2580mm Long