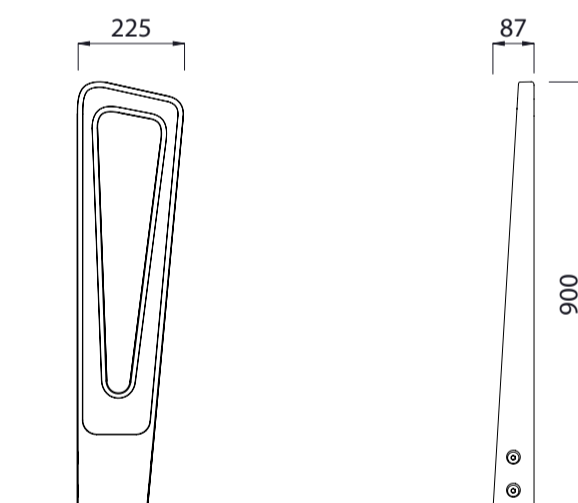


# Ore Bollard • Ore Cycle Stand



Colours / finishes shown are indicative only and may differ in reality.



	MATERIALS	FINISHES	FINISH OPTIONS
<b>Steelwork</b>	<ul style="list-style-type: none"> <li>• Cast aluminium</li> <li>• Cast iron</li> </ul>	<ul style="list-style-type: none"> <li>• Powdercoated or 2 pot epoxy wet paint</li> <li>• Natural finish (rust coloured age patina) or Powdercoated</li> </ul>	<ul style="list-style-type: none"> <li>• Custom paint options</li> </ul>
<b>Hardware / Fasteners</b>	<ul style="list-style-type: none"> <li>• Stainless steel</li> </ul>		
	OPTIONS	DIMENSIONS	WEIGHT
<ul style="list-style-type: none"> <li>• Plant mounted or Surface mounted (Cycle stand &amp; Bollard)</li> <li>• Removable with lock (Bollard)</li> </ul>		<ul style="list-style-type: none"> <li>• 225W x 900H x 87D</li> </ul>	<ul style="list-style-type: none"> <li>• 12Kg</li> </ul>

• Part of the 'Ore' furniture suite. Made to order and can be customised to suit clients requirements. **Design is copyright to MVS Studio (Auckland)**, manufactured under technical licence **exclusively by Fel Group Limited**

• Furniture is not supplied with installation instructions, install fastenings or footing details. These are to be specified and determined by the installing contractor for the specific requirements of each site.

# Ore Suite Complementing Furniture



Ore Seat 1800L With Optional Armrests



Ore Bench 1800L



Ore Seat AC 1800L



Ore Bench AC 1800L



Ore Chair AC 600L



Ore Bollard & Cycle Stand