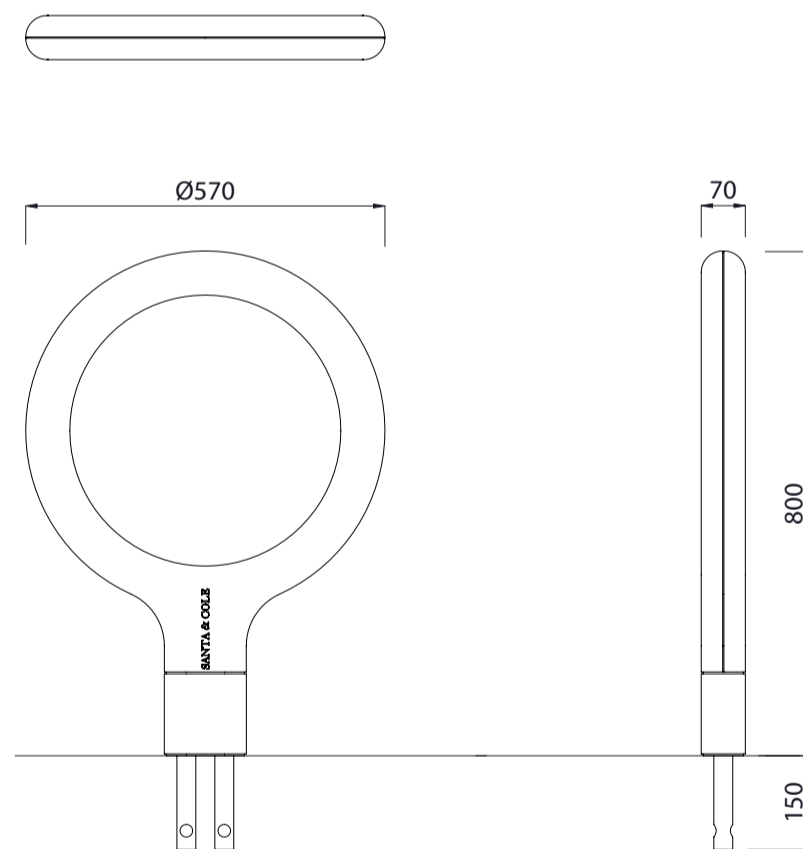


Santa & Cole Key Cycle Stand



Colours / finishes shown are indicative only and may differ in reality.



	MATERIALS	FINISHES	FINISH OPTIONS
Steelwork	<ul style="list-style-type: none"> • 304 Stainless steel inside frame • Injected aluminium base 	<ul style="list-style-type: none"> • High density expanded polyurethane cladding over frame • Powdercoated grey as standard 	<ul style="list-style-type: none"> • 3 standard polyurethane colour options available
	OPTIONS	DIMENSIONS	WEIGHT
	<ul style="list-style-type: none"> • Plant mounted as standard 	<ul style="list-style-type: none"> • Ø570 x 800H 	<ul style="list-style-type: none"> • 9Kg

- Design is copyright to Santa & Cole (Spain), supplied under technical licence exclusively by Fel Group Limited
- Furniture is not supplied with installation instructions, install fastenings or footing details. These are to be specified and determined by the installing contractor for the specific requirements of each site.