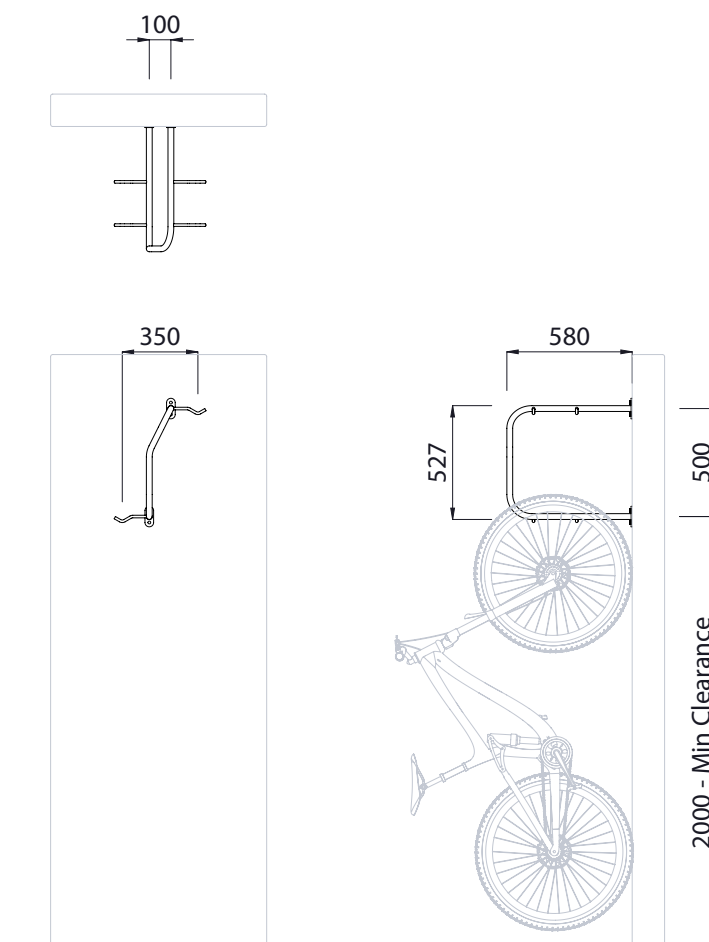


Tararua Cycle Rack

2 Berth Wall Mounted



Colours / finishes shown are indicative only and may differ in reality.



	MATERIALS	FINISHES	FINISH OPTIONS
Steelwork	<ul style="list-style-type: none"> Mild steel 304 Stainless steel 	<ul style="list-style-type: none"> Hot dip galvanised only or Hot dip galvanised and powdercoated Electropolished as standard 	<ul style="list-style-type: none"> Custom paint options
	OPTIONS	DIMENSIONS	WEIGHT
	<ul style="list-style-type: none"> Wall mounted as standard Clear PVC coated hanging hooks as standard 	<ul style="list-style-type: none"> 580L x 595H x 425D 	<ul style="list-style-type: none"> 3Kg

- Made to order and can be customised to suit clients requirements.
- Furniture is not supplied with installation instructions, install fastenings or footing details. These are to be specified and determined by the installing contractor for the specific requirements of each site.