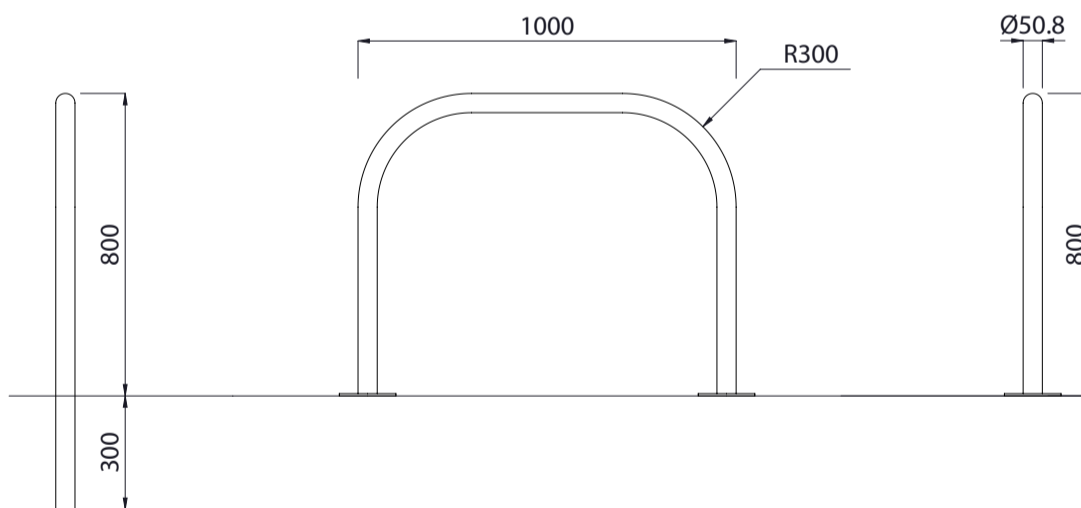


Type A Cycle Stand



Colours / finishes shown are indicative only and may differ in reality.



| | MATERIALS | FINISHES | FINISH OPTIONS |
|-----------|--|--|--|
| Steelwork | <ul style="list-style-type: none"> Mild steel 304 or 316 Stainless steel | <ul style="list-style-type: none"> Hot dip galvanised only or Hot dip galvanised and powdercoated Electropolished as standard | <ul style="list-style-type: none"> Custom paint options |
| | OPTIONS | DIMENSIONS | WEIGHT |
| | <ul style="list-style-type: none"> Plant or Surface Mounted | <ul style="list-style-type: none"> 1000L x 800H x 50.8 | <ul style="list-style-type: none"> 7Kg |

- Made to order and can be customised to suit clients requirements.
- Furniture is not supplied with installation instructions, install fastenings or footing details. These are to be specified and determined by the installing contractor for the specific requirements of each site.