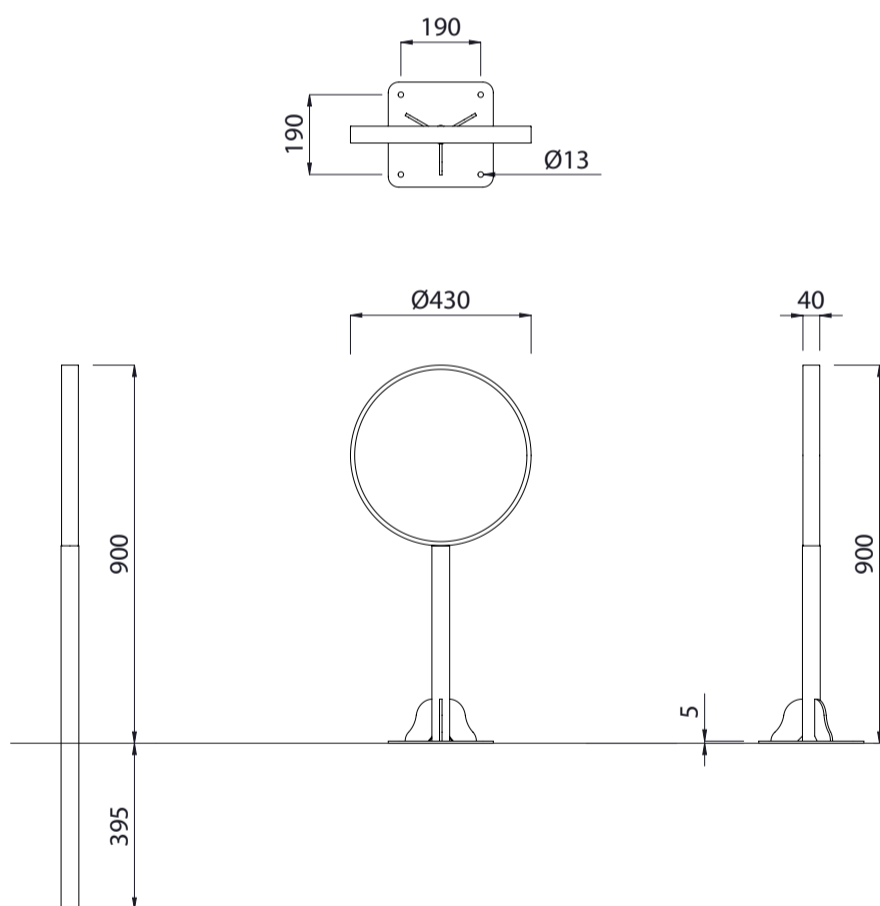


# Type C Cycle Stand



Colours / finishes shown are indicative only and may differ in reality.



	MATERIALS	FINISHES	FINISH OPTIONS
Steelwork	<ul style="list-style-type: none"> <li>Mild steel</li> <li>304 or 316 Stainless steel</li> </ul>	<ul style="list-style-type: none"> <li>Hot dip galvanised only or Hot dip galvanised and powdercoated</li> <li>Electropolished as standard</li> </ul>	<ul style="list-style-type: none"> <li>Custom paint options</li> </ul>
	OPTIONS	DIMENSIONS	WEIGHT
	<ul style="list-style-type: none"> <li>Plant or Surface Mounted</li> </ul>	<ul style="list-style-type: none"> <li>Ø430 x 900H</li> </ul>	<ul style="list-style-type: none"> <li>9Kg</li> </ul>

- Made to order and can be customised to suit clients requirements.
- Furniture is not supplied with installation instructions, install fastenings or footing details. These are to be specified and determined by the installing contractor for the specific requirements of each site.