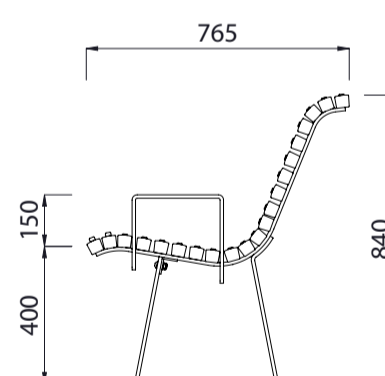
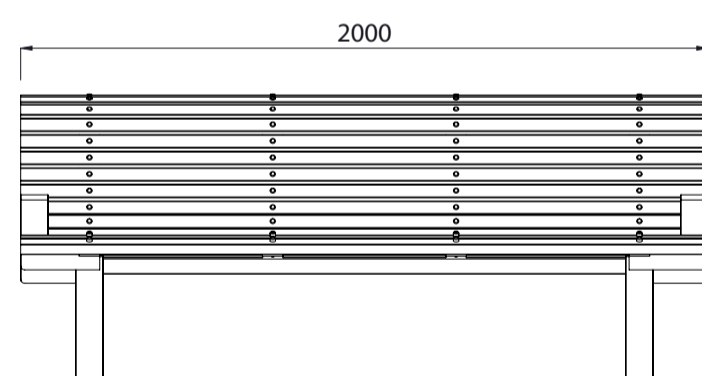
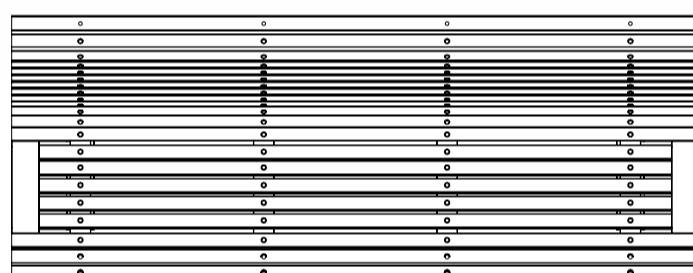


# Viaduct Basin Seat



Colours / finishes shown are indicative only and may differ in reality.



## MATERIALS

- Timber (Hardwood)**
  - Vitex as standard
  - Other species available on request
- Steelwork**
  - Mild steel as standard
- Hardware / Fasteners**
  - Stainless steel with brass cap nuts

## FINISHES

- Un-sealed (Natural) as standard
- Hot dip galvanised and **powdercoated** as standard

## FINISH OPTIONS

- Penetrating oil / Graffiti guard / Clear sealant
- Custom paint options

## OPTIONS

- Surface mounted as standard
- Welded armrests to both ends as standard
- **Skate deterrents** as standard

## DIMENSIONS

- 2000L x 840H x 765D as standard

## WEIGHT

- 90Kg

- Part of the '**Viaduct**' furniture suite. Made to order and can be customised to suit clients requirements.
- Furniture is not supplied with installation instructions, install fastenings or footing details. These are to be specified and determined by the installing contractor for the specific requirements of each site.