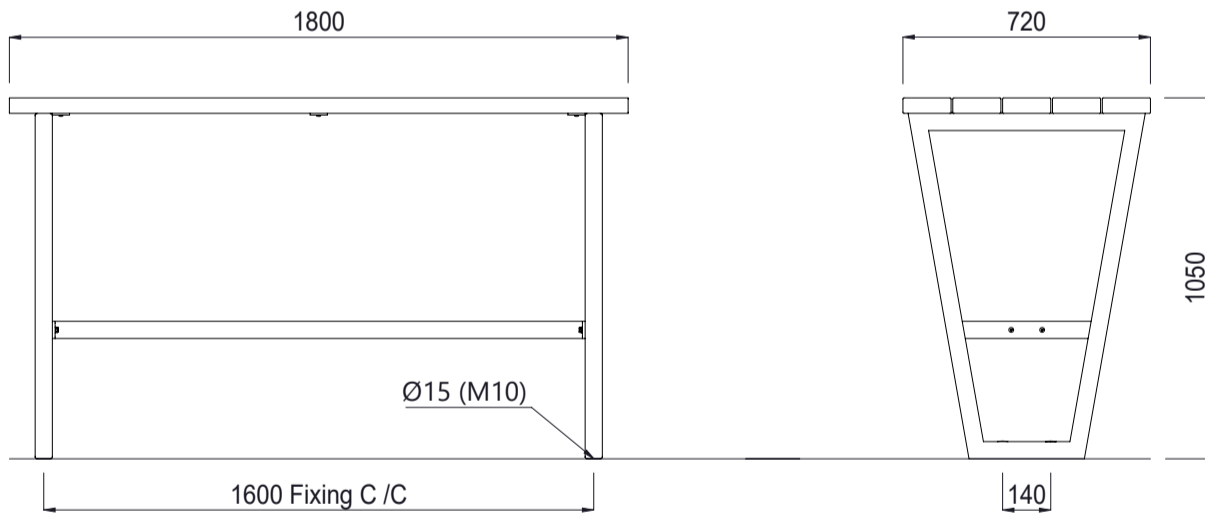
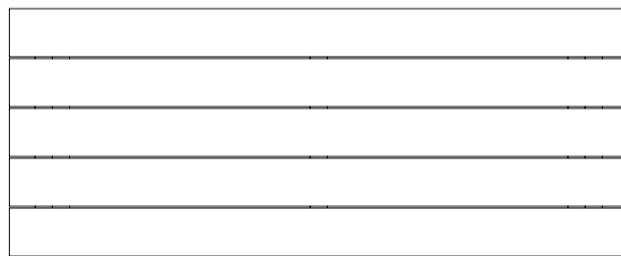


# Villa Leaner 1800mm Long



Colours / finishes shown are indicative only and may differ in reality.



## MATERIALS

- Timber (Hardwood)**
  - Vitex as standard
  - Other species available on request
- Metalwork**
  - Aluminium as standard
- Hardware / Fasteners**
  - Stainless steel

## FINISHES

- Un-sealed (Natural) as standard
- Powdercoated

## FINISH OPTIONS

- Penetrating oil / Graffiti guard / Clear sealant
- Custom paint options

## OPTIONS

- Plant mounted with inserts, surface mounted or freestanding

## DIMENSIONS

- 1800L x 1050H x 720D
- 2400L x 1050H x 720D

## WEIGHT

- 81Kg
- 99Kg

## MOUNT TYPE

- (Refer to Footing detail sheet for mount type)
- Plant mounted inserts - TYPE A2
  - Surface mounted - TYPE C

- Part of the 'Villa' furniture suite. Made to order and can be customised to suit clients requirements.
- Furniture is not supplied with installation instructions, install fastenings or footing details. These are to be specified and determined by the installing contractor for the specific requirements of each site.