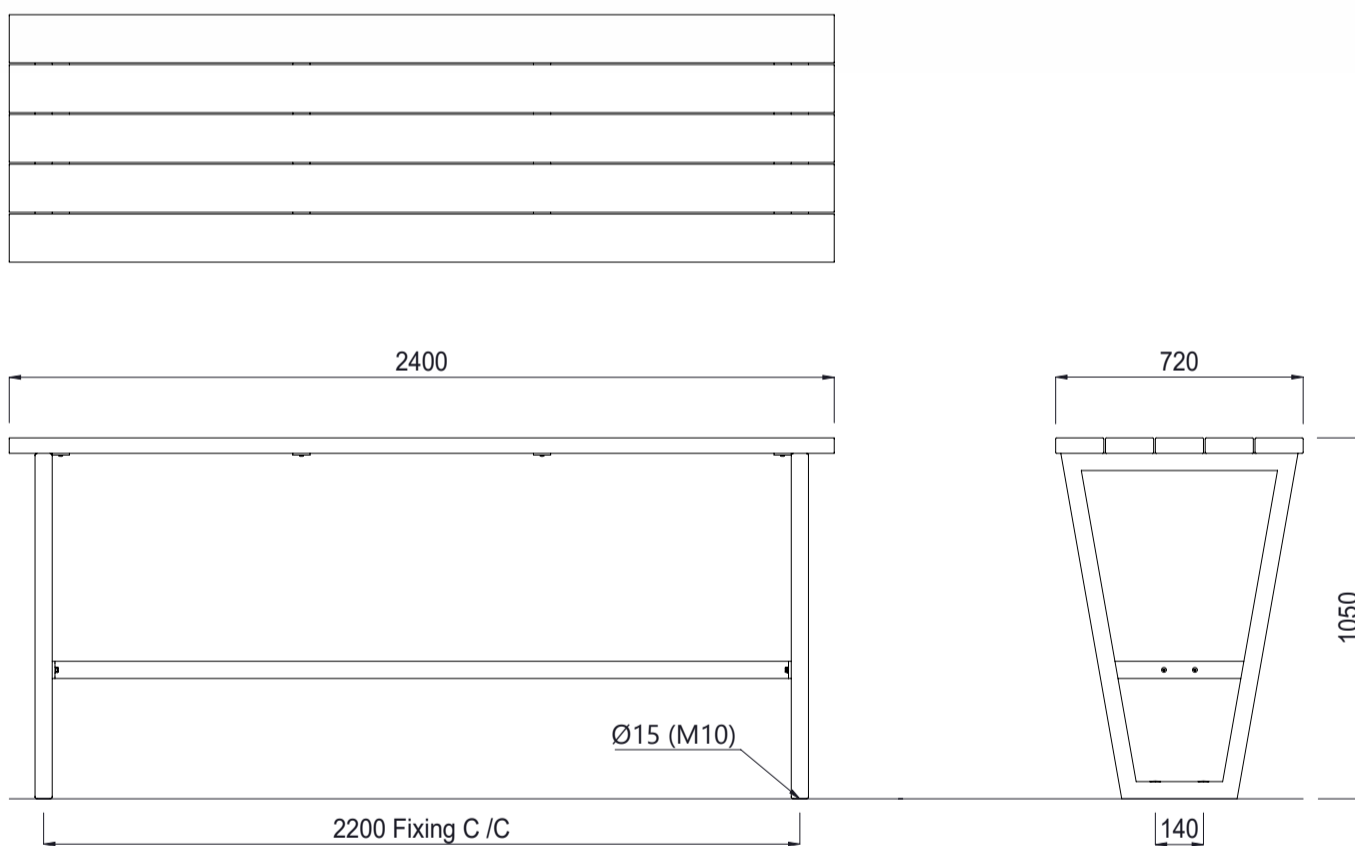


Villa Leaner 2400mm Long



Colours / finishes shown are indicative only and may differ in reality.



MATERIALS

- Timber (Hardwood)**
 - Vitex as standard
 - Other species available on request
- Metalwork**
 - Aluminium as standard
- Hardware / Fasteners**
 - Stainless steel

FINISHES

- Un-sealed (Natural) as standard
- Powdercoated

FINISH OPTIONS

- Penetrating oil / Graffiti guard / Clear sealant
- Custom paint options

OPTIONS

- Plant mounted with inserts, surface mounted or freestanding

DIMENSIONS

- 1800L x 1050H x 720D
- 2400L x 1050H x 720D

WEIGHT

- 81Kg
- 99Kg

MOUNT TYPE

- (Refer to Footing detail sheet for mount type)
- Plant mounted inserts - TYPE A2
 - Surface mounted - TYPE C

- Part of the 'Villa' furniture suite. Made to order and can be customised to suit clients requirements.
- Furniture is not supplied with installation instructions, install fastenings or footing details. These are to be specified and determined by the installing contractor for the specific requirements of each site.