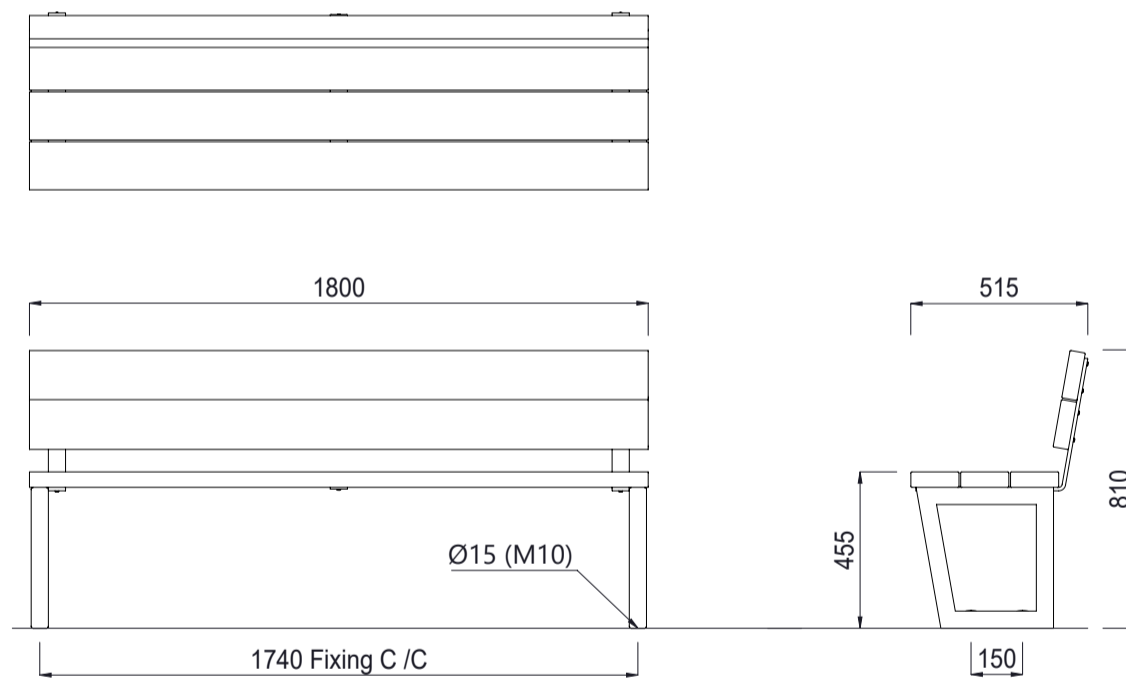


# Villa Seat 1800mm Long



Colours / finishes shown are indicative only and may differ in reality.



	MATERIALS	FINISHES	FINISH OPTIONS
<b>Timber (Hardwood)</b>	<ul style="list-style-type: none"> <li>Vitex as standard</li> <li>Other species available on request</li> </ul>	<ul style="list-style-type: none"> <li>Un-sealed (Natural) as standard</li> </ul>	<ul style="list-style-type: none"> <li>Penetrating oil / Graffiti guard / Clear sealant</li> </ul>
<b>Metalwork</b>	<ul style="list-style-type: none"> <li>Aluminium as standard</li> </ul>	<ul style="list-style-type: none"> <li>Powdercoated</li> </ul>	<ul style="list-style-type: none"> <li>Custom paint options</li> </ul>
<b>Hardware / Fasteners</b>	<ul style="list-style-type: none"> <li>Stainless steel</li> </ul>		
	OPTIONS	DIMENSIONS	WEIGHT
	<ul style="list-style-type: none"> <li>Plant mounted with inserts, surface mounted or freestanding</li> <li>Skate deterrents</li> </ul>	<ul style="list-style-type: none"> <li>1800L x 810H x 515D</li> <li>2400L x 810H x 515D</li> </ul>	<ul style="list-style-type: none"> <li>60Kg</li> <li>82Kg</li> </ul>
	MOUNT TYPE		
(Refer to Footing detail sheet for mount type)	<ul style="list-style-type: none"> <li>Plant mounted inserts - TYPE A2</li> <li>Surface mounted - TYPE C</li> </ul>		

- Part of the 'Villa' furniture suite. Made to order and can be customised to suit clients requirements.
- Furniture is not supplied with installation instructions, install fastenings or footing details. These are to be specified and determined by the installing contractor for the specific requirements of each site.