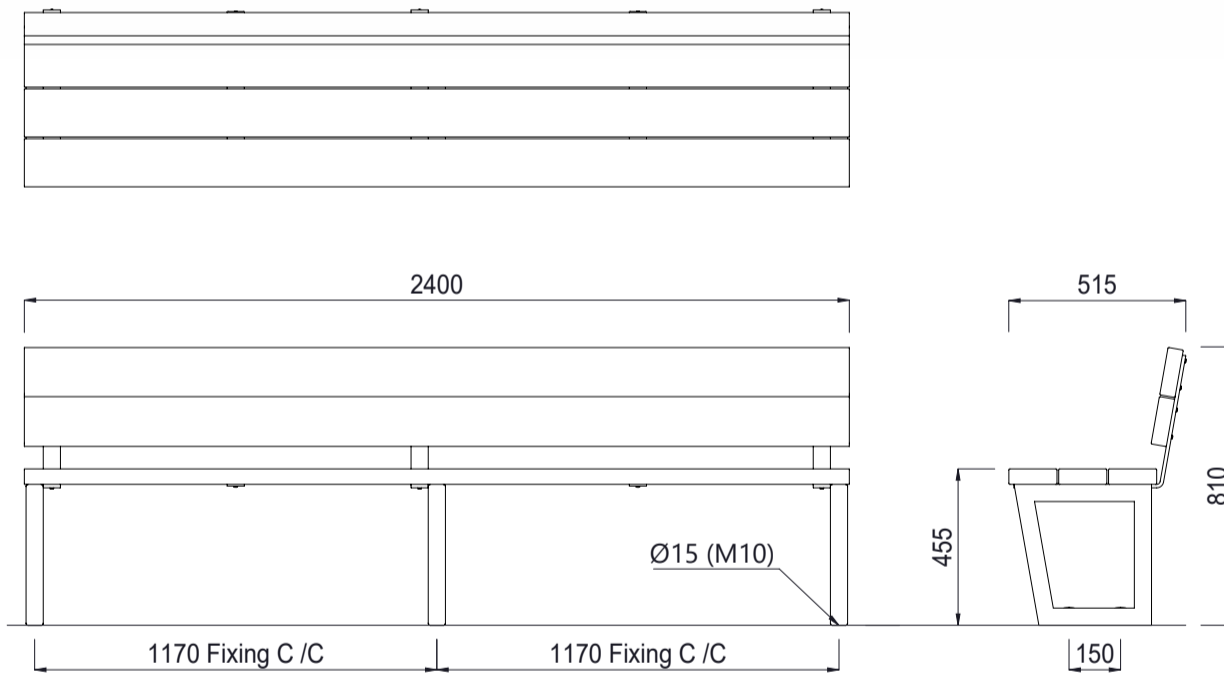


Villa Seat 2400mm Long



Colours / finishes shown are indicative only and may differ in reality.



	MATERIALS	FINISHES	FINISH OPTIONS
Timber (Hardwood)	<ul style="list-style-type: none"> Vitex as standard Other species available on request 	<ul style="list-style-type: none"> Un-sealed (Natural) as standard 	<ul style="list-style-type: none"> Penetrating oil / Graffiti guard / Clear sealant
Metalwork	<ul style="list-style-type: none"> Aluminium as standard 	<ul style="list-style-type: none"> Powdercoated 	<ul style="list-style-type: none"> Custom paint options
Hardware / Fasteners	<ul style="list-style-type: none"> Stainless steel 		
	OPTIONS	DIMENSIONS	WEIGHT
	<ul style="list-style-type: none"> Plant mounted with inserts, surface mounted or freestanding Skate deterrents 	<ul style="list-style-type: none"> 1800L x 810H x 515D 2400L x 810H x 515D 	<ul style="list-style-type: none"> 60Kg 82Kg
MOUNT TYPE			
(Refer to Footing detail sheet for mount type)	<ul style="list-style-type: none"> Plant mounted inserts - TYPE A2 Surface mounted - TYPE C 		

- Part of the 'Villa' furniture suite. Made to order and can be customised to suit clients requirements.
- Furniture is not supplied with installation instructions, install fastenings or footing details. These are to be specified and determined by the installing contractor for the specific requirements of each site.