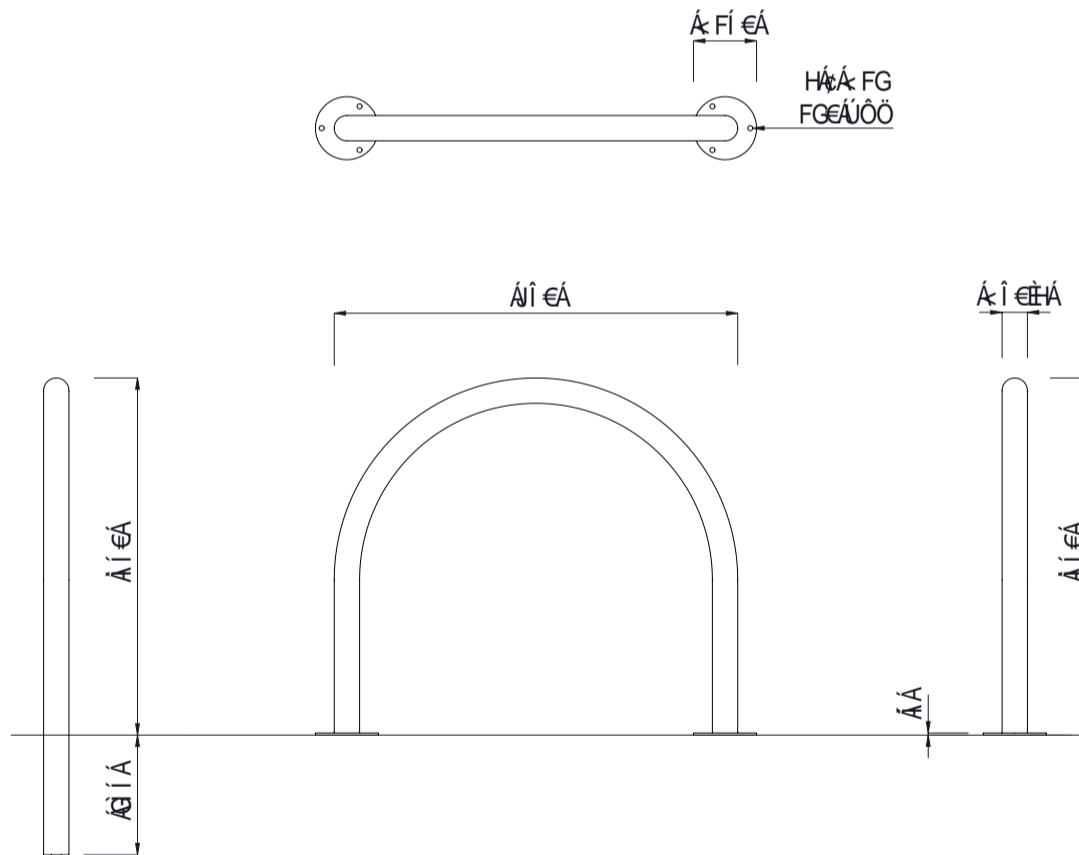




Ô[[^]•Aá@•A@, } Á^Á áááá^Á } | Áá áÁ æ Áá-!Á Á^áá Á



	MATERIALS	FINISHES	FINISH OPTIONS
Steelwork	<ul style="list-style-type: none"> Mild steel 304 or 316 grade stainless steel 	<ul style="list-style-type: none"> Hot dip galvanised Electropolished 	<ul style="list-style-type: none"> Custom paint options
	OPTIONS	DIMENSIONS	WEIGHT
	<ul style="list-style-type: none"> Plant or Surface mounted Optional taper plate 	<ul style="list-style-type: none"> 960L x 850H x Ø60.3 as standard 	<ul style="list-style-type: none"> 11Kg

- Made to order and can be customised to suit clients requirements.
- Furniture is not supplied with installation instructions, install fastenings or footing details. These are to be specified and determined by the installing contractor for the specific requirements of each site.