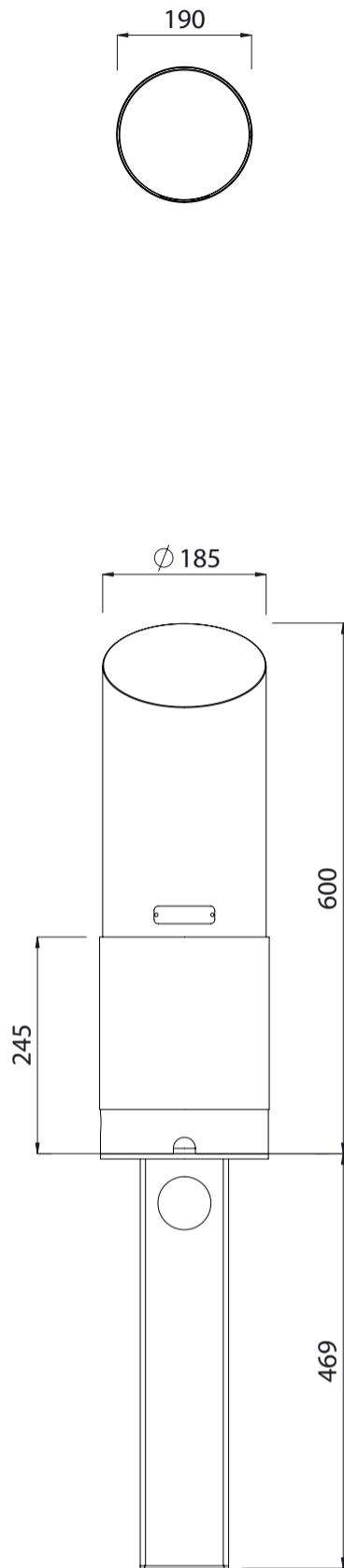


600mm Manukau Bollard Removable



Colours / finishes shown are indicative only and may differ in reality.

	SPECIFICATIONS	FEATURES
Code	BOL00622- Removable BOL010602- Removable (Bollard only)	<ul style="list-style-type: none"> • Removable Key lock bollard • Hot Dip Galvanised socket for long life • Available in 900mm, 600mm and 400mm • Optional reflective Tape
Material	H5 Treated pine post	
Height	600mm Above Ground 470mm Socket (1070mm Overall)	
Diameter	$\varnothing 185$ Pine post	
Weight	21 Kg (Removable Bollard)	
Mounting	Socket Cast into Concrete 470mm Deep Removable Key lock bollard	

- Bollards are not supplied with installation instructions, install fastenings or footing details. These are to be specified and determined by the installing contractor for the specific requirements of each site.