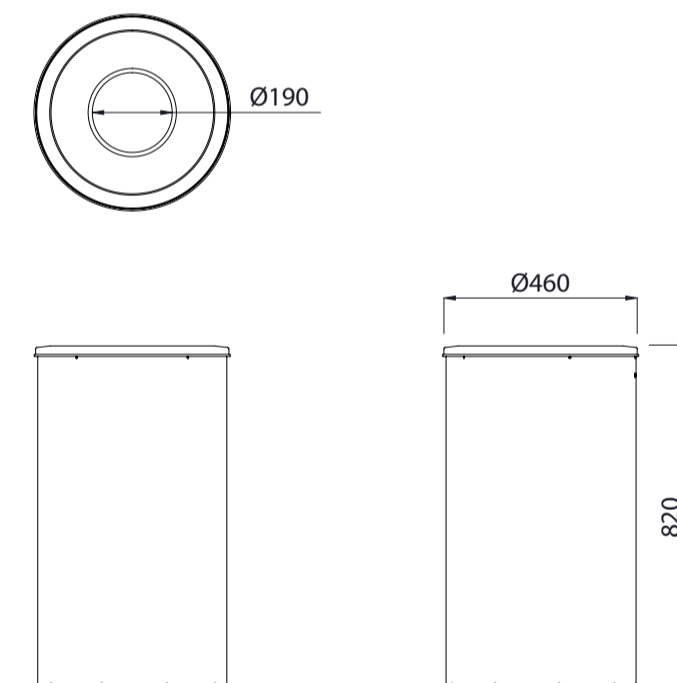




Colours / finishes shown are indicative only and may differ in reality.



	MATERIALS	FINISHES	FINISH OPTIONS
<b>Steelwork</b>	• Stainless steel as standard	• No4 finish as standard	• Custom paint options
<b>Hardware / Fasteners</b>	• Stainless steel		
	OPTIONS	DIMENSIONS	WEIGHT
	<ul style="list-style-type: none"> <li>• Freestanding on pads as standard</li> <li>• Hinged or loose lid option</li> <li>• Galvanised 80L liner or wire bag holder</li> </ul>	• Ø460 x 820H as standard	• 16Kg

- Made to order and can be customised to suit clients requirements.
- Furniture is not supplied with installation instructions, install fastenings or footing details. These are to be specified and determined by the installing contractor for the specific requirements of each site.