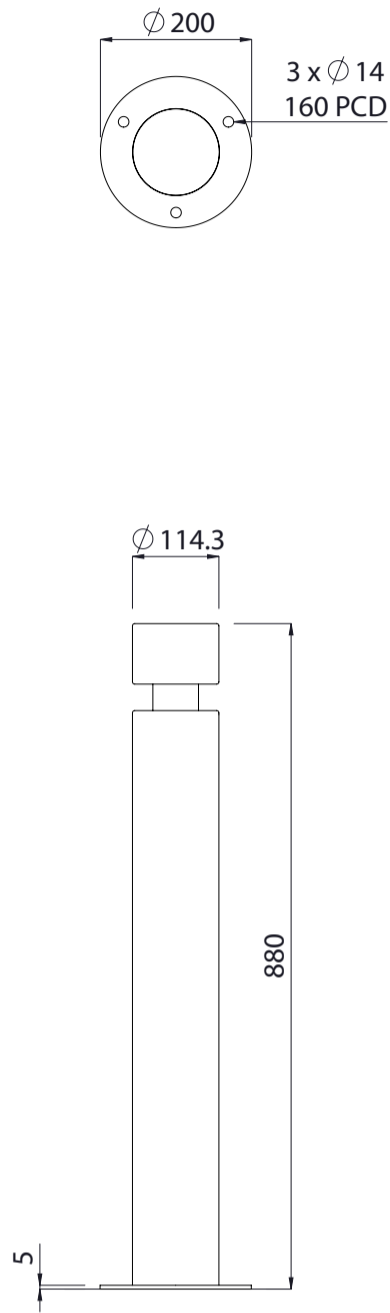


Ø114 Steel Round Bollard

Viaduct Stainless | Surface Mounted



Colours / finishes shown are indicative only and may differ in reality.

SPECIFICATIONS

Code	RVIAR-880CSBS
Material	316 Grade Stainless Steel
Height	880mm Above Ground
Diameter	Ø114.3 x 3.05mm Wall Tube
Base Plate	Ø200 x 5mm Thick
Weight	10 Kg
Mounting	Bolt Down with 3 x M12 Dynabolts

FEATURES

- Welded and dressed head with rebated collar
- Bead blasted finish
- Suitable for architectural applications

- Bollards are not supplied with installation instructions, install fastenings or footing details. These are to be specified and determined by the installing contractor for the specific requirements of each site.