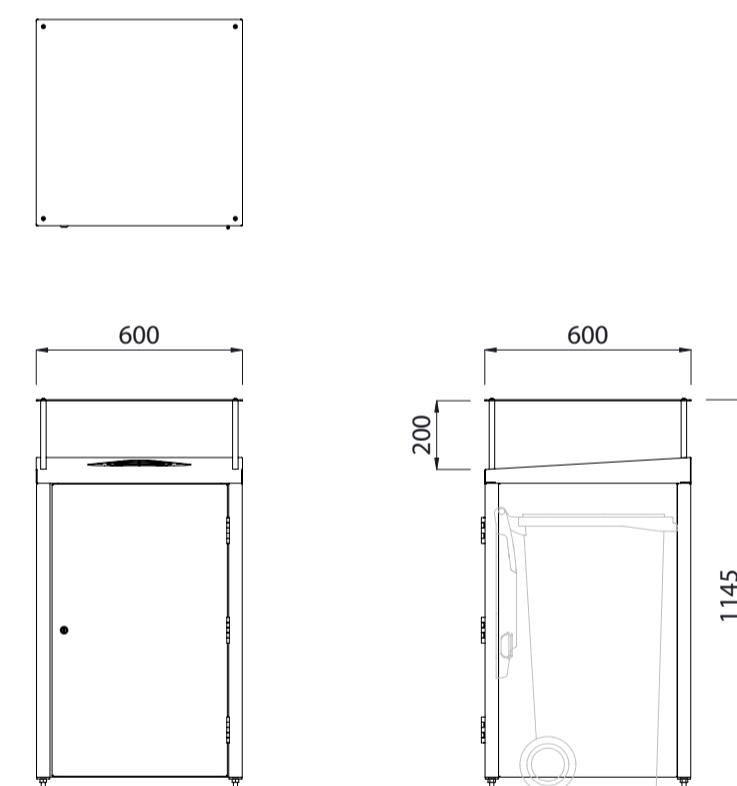


Tamaki Single 80L Wheelie Bin Enclosure



Colours / finishes shown are indicative only and may differ in reality.



	<p>MATERIALS</p> <ul style="list-style-type: none"> • Mild steel as standard • Stainless steel (coastal) 	<p>FINISHES</p> <ul style="list-style-type: none"> • Electro-plated and powdercoated • Powdercoated as standard 	<p>FINISH OPTIONS</p> <ul style="list-style-type: none"> • Graffiti guard
<p>Steelwork</p>	<p>Hardware / Fasteners</p> <ul style="list-style-type: none"> • Stainless steel 		
	<p>OPTIONS</p> <ul style="list-style-type: none"> • Surface mounted with adjustable feet as standard • Custom decal / design onto panels • Modular design allows for custom unit quantities 	<p>DIMENSIONS</p> <ul style="list-style-type: none"> • 600L x 1145H x 600D (Single unit) • 1200L x 1145H x 600D (Double unit) • 1800L x 1145H x 600D (Triple unit) 	<p>WEIGHT</p> <ul style="list-style-type: none"> • 55Kg • 110Kg • 165Kg

- Wheelie bin not supplied with unit.
- Made to order and can be customised to suit clients requirements.
- Furniture is not supplied with installation instructions, install fastenings or footing details. These are to be specified and determined by the installing contractor for the specific requirements of each site.