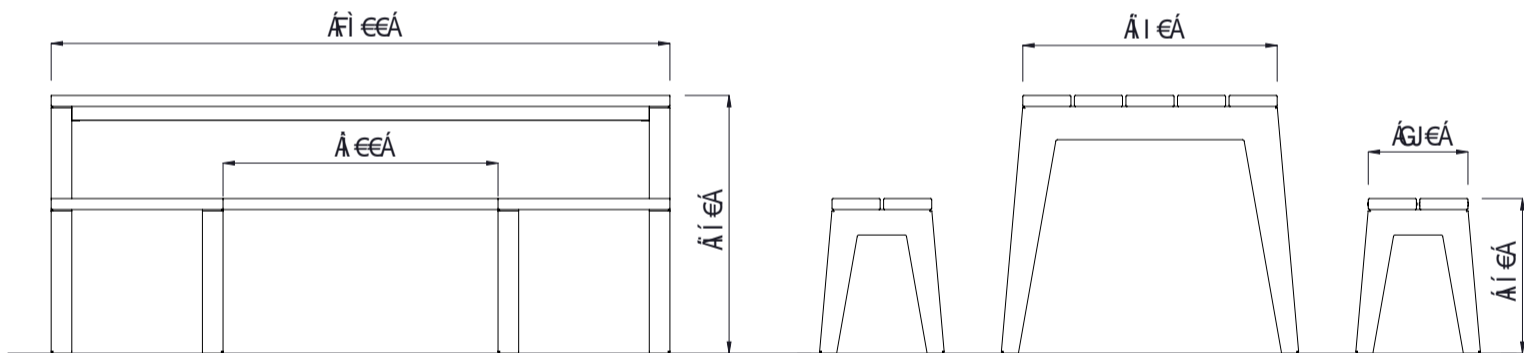




T ^ ^ óóó • áãá Úc } áãá • Á ZUI FGÉÉÉ  
 Ô [ | ^ ! • Áã á @ • Á @ , } Áã Á áãáá } | Áã á Á æ Áã-! Á Áãáá É



	MATERIALS	FINISHES	FINISH OPTIONS
Steelwork	• Mild steel frame and slats	• Hot dip galvanised and powdercoated	• Custom paint options
Hardware / Fasteners	• Stainless steel		
	OPTIONS	DIMENSIONS	WEIGHT
	<ul style="list-style-type: none"> <li>• Surface mounted as standard</li> <li>• Stool or bench seating</li> <li>• Steel slats or mixed media steel / timber</li> </ul>	<ul style="list-style-type: none"> <li>• 1800L x 750H x 740D (Table)</li> <li>• 1800L x 450H x 290D (Bench)</li> <li>• 500L x 450H x 290D (Stool)</li> </ul>	<ul style="list-style-type: none"> <li>• 78Kg</li> <li>• 49Kg</li> <li>• 17Kg (Each)</li> </ul>

- Part of the 'Mobilia' furniture suite. Made to order and can be customised to suit clients requirements.
- Furniture is not supplied with installation instructions, install fastenings or footing details. These are to be specified and determined by the installing contractor for the specific requirements of each site.

T [ àããÀÙc^^|ÀÛ ã^  
Ô[ { ] |^ { ^ } cã \* ÁØ ! } ã^ !^



T [ àããÀÙc^^|ÀÛ ã^| ËŠÁ ãÖÙ] ç ) çÙÈ ( !^••



T [ àããÀÙc^^|ÁÖçÁ ËŠÁ ãÖÙ] ç ) çÙÈ ( !^••



T [ àããÀÙc^^|ÁÖ} &çÙÈ ËŠÁ ãÖÙ] ç ) çÙÈ ( !^••



T [ àããÙçá[ , ÁÙc^^|ÁÖ} &çÙÈ ËŠÁ



T [ àããÀÙc^^|ÁÙç} çÙÈ ËŠÁ



T [ àããÀÙc^^|ÁÙç [ |Á ËŠ



T [ àããÙÖ [ ~ à|^ÁÖç



T [ àããÙç \*|^ÁÖç