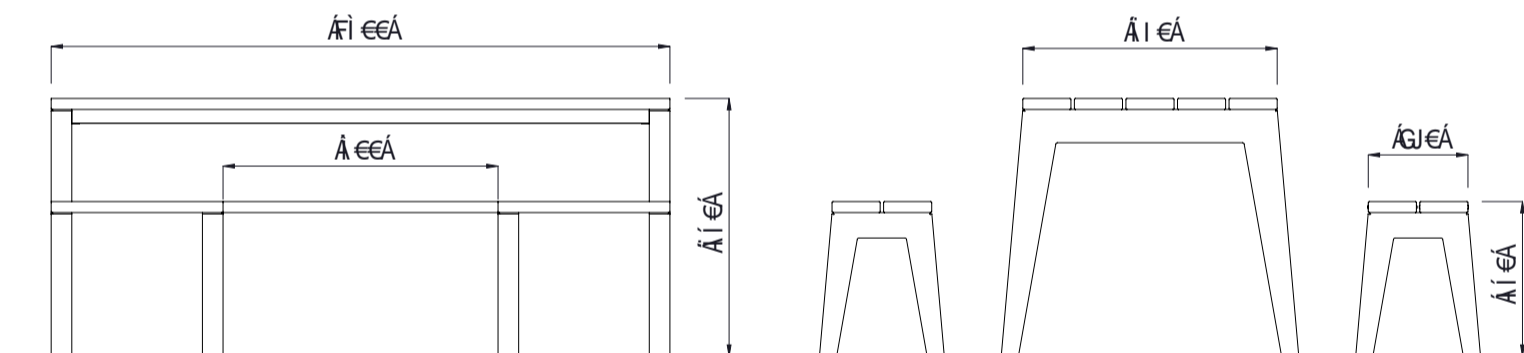




T ^ ^ óó&^•ããc Á|æ} áãá•Á ZUI FGÉEEF
Ô[| | •Áãã @•Á @, } Áã^Á áããc^Á } | Áã áÁ æ Áã-!Á Áããc ÉÁ



	MATERIALS	FINISHES	FINISH OPTIONS
Timber (Hardwood)	<ul style="list-style-type: none"> Vitex as standard Other species available on request 	<ul style="list-style-type: none"> Un-sealed (Natural) as standard 	<ul style="list-style-type: none"> Penetrating oil / Graffiti guard / Clear sealant
Steelwork	<ul style="list-style-type: none"> Mild steel as standard 	<ul style="list-style-type: none"> Hot dip galvanised and powdercoated 	<ul style="list-style-type: none"> Custom paint options
Hardware / Fasteners	<ul style="list-style-type: none"> Stainless steel 		
	OPTIONS	DIMENSIONS	WEIGHT
	<ul style="list-style-type: none"> Surface mounted as standard Stool or bench seating Timber slats or mixed media timber / steel 	<ul style="list-style-type: none"> 1800L x 750H x 740D (Table) 1800L x 450H x 290D (Bench) 500L x 450H x 290D (Stool) 	<ul style="list-style-type: none"> 60Kg 35Kg 12Kg (Each)

- Part of the 'Mobilia' furniture suite. Made to order and can be customised to suit clients requirements.
- Furniture is not supplied with installation instructions, install fastenings or footing details. These are to be specified and determined by the installing contractor for the specific requirements of each site.

T [àããÁã à^!ÁÛ ã^
Ô [{] | ^ { ^ } çã * ÁØ ! } ã^ | ^



T [àããÁã à^!ÁÛ ã^! ã^! ã^! çã * ÁØ ! } ã^ | ^



T [àããÁã à^!ÁÛ çã! ã^! ã^! çã * ÁØ ! } ã^ | ^



T [àããÁã à^!ÁÛ çã! ã^! ã^! çã * ÁØ ! } ã^ | ^



T [àããÁã çã! , Áã à^!ÁÛ çã! ã^! ã^!



T [àããÁã à^!ÁÛ çã! çã! ã^! ã^!



T [àããÁã à^!ÁÛ çã! | Á^ ã^!



T [àããÁã çã! çã! çã!



T [àããÁã çã! çã! çã!