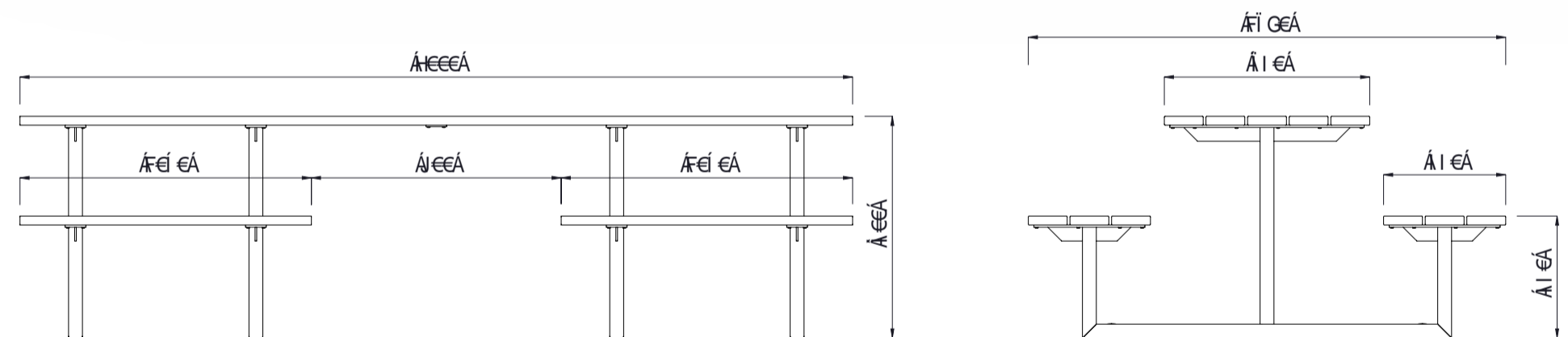




T ^ ^ c Á Ú æ } æ Á Ú ^ c Á Ó É
Ô [[\ ! Á Ú æ } æ Á Ú ^ c Á Ó É] Á Ú æ } æ Á Ú ^ c Á Ó É



MATERIALS

- Timber (Hardwood)**
 - Vitex as standard
 - Other species available on request
- Steelwork**
 - Mild steel as standard
- Hardware / Fasteners**
 - Stainless steel

FINISHES

- Un-sealed (Natural) as standard
- Hot dip galvanised and **powdercoated**

FINISH OPTIONS

- Penetrating oil / Graffiti guard / Clear sealant
- Custom paint options

OPTIONS

- Plant mounted with inserts, surface mounted or freestanding
- Wheelchair access to one or both sides
- Umbrella hole

DIMENSIONS

- 3000L x 800H x 1720D as standard

WEIGHT

- 185Kg

- Made to order and can be customised to suit clients requirements.
- Furniture is not supplied with installation instructions, install fastenings or footing details. These are to be specified and determined by the installing contractor for the specific requirements of each site.