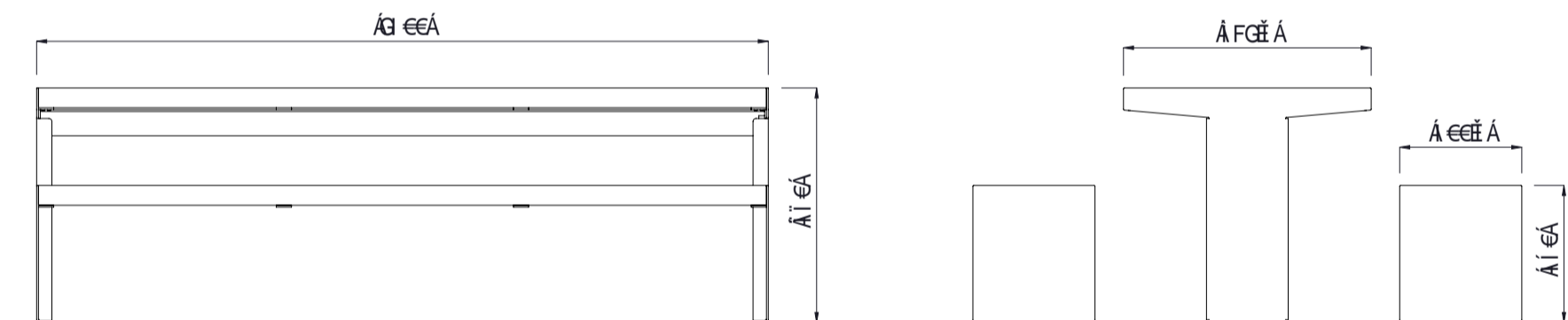




Ô[[| ~ | • Áá ã @ • Á @ , } Áé ^ Á á ã ãé Á } | Áé á Á é Á á ^ Á Á Á é É



	MATERIALS	FINISHES	FINISH OPTIONS
Timber (Hardwood)	<ul style="list-style-type: none"> Vitex as standard Other species available on request 	<ul style="list-style-type: none"> Un-sealed (Natural) as standard 	<ul style="list-style-type: none"> Penetrating oil / Graffiti guard / Clear sealant
Steelwork	<ul style="list-style-type: none"> Mild steel 	<ul style="list-style-type: none"> Hot dip galvanised and powdercoated 	<ul style="list-style-type: none"> Custom paint options
Hardware / Fasteners	<ul style="list-style-type: none"> Stainless steel 		
	OPTIONS	DIMENSIONS	WEIGHT
	<ul style="list-style-type: none"> Plant mount inserts or Surface mounted Laser cut logo / design into legs Skate deterrents 	<ul style="list-style-type: none"> 2400L x 450H x 400D Bench 2400L x 770H x 812D Table 	<ul style="list-style-type: none"> 62Kg 137Kg

- Part of the 'Alpha' furniture suite. Made to order and can be customised to suit clients requirements.
- Furniture is not supplied with installation instructions, install fastenings or footing details. These are to be specified and determined by the installing contractor for the specific requirements of each site.

0# @AU' a^
Ô[{] | ^ { ^ } cã * ÁØ ! } a' ! ^



0# @Á ÉÓ\ } &@fi €ŠBÁfi €Š



0# @Á ÉÓ\ } &@fi €ŠBÁfi €Š



0# @Á ÉÁ\ } &@fi €ŠBÁfi €Š



0# @Á ÉÁ\ } &@fi €ŠBÁfi €Š



0# @Á ÉÁ\ } &@fi €ŠBÁfi €Š



0# @Á ÉÁ\ } &@fi €ŠBÁfi €Š



0# @ÁÁ Á €Š