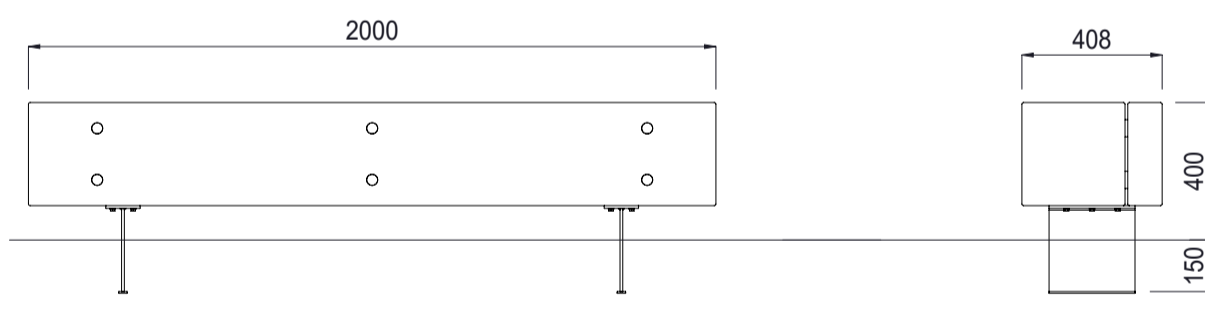
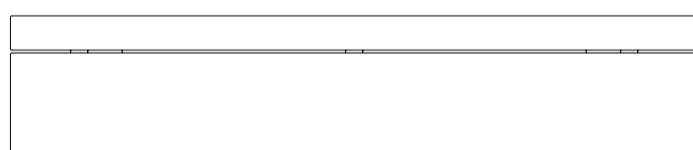


Kaitā Bench 2000L



Colours / finishes shown are indicative only and may differ in reality.



MATERIALS

- Timber (Hardwood)**
 - Purple Heart as standard
 - Other species available on request
- Steelwork**
 - Mild steel as standard
- Hardware / Fasteners**
 - Stainless steel

OPTIONS

- Plant mounted
- [Skate deterrents](#)

FINISHES

- Rough Sawn Un-sealed (Natural) as standard
- Hot dip galvanised [powdercoated](#)

FINISH OPTIONS

- Penetrating oil / Graffiti guard / Clear sealant
- Custom paint options

DIMENSIONS

- 2000L x 400H x 408D as standard

WEIGHT

- 290Kg

- Made to order and can be customised to suit clients requirements.
- Furniture is not supplied with installation instructions, install fastenings or footing details. These are to be specified and determined by the installing contractor for the specific requirements of each site.