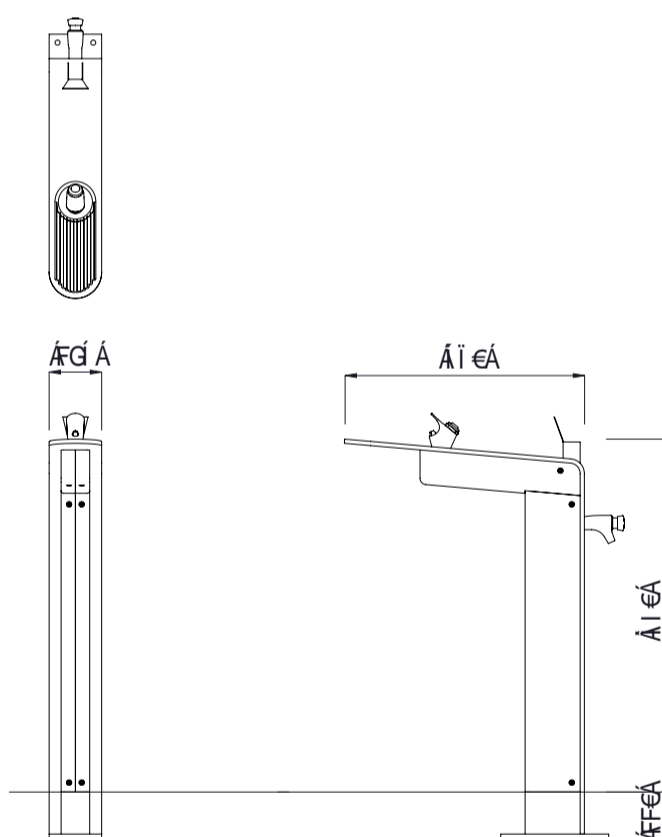


Ô[ | ~ | • Äā @ • Ä @ , } Ä^ Ä ā cæā Ä } | Ä ā Ä æ Äā-! Ä Ä cæ Ä



**MATERIALS**

- Steelwork • 316 stainless steel as standard
- Hardware / Fasteners • Stainless steel

**OPTIONS**

- Bottle filler tap option

**FINISHES**

- Electropolished as standard
- Bead Blasted

**DIMENSIONS**

- 125W x 950H x 570D (Sub-surface Mounted)

**FINISH OPTIONS**

- Custom paint options

**WEIGHT**

- 30Kg

- Part of the 'CBD' furniture suite. Made to order and can be customised to suit clients requirements.
- Furniture is not supplied with installation instructions, install fastenings or footing details. These are to be specified and determined by the installing contractor for the specific requirements of each site.