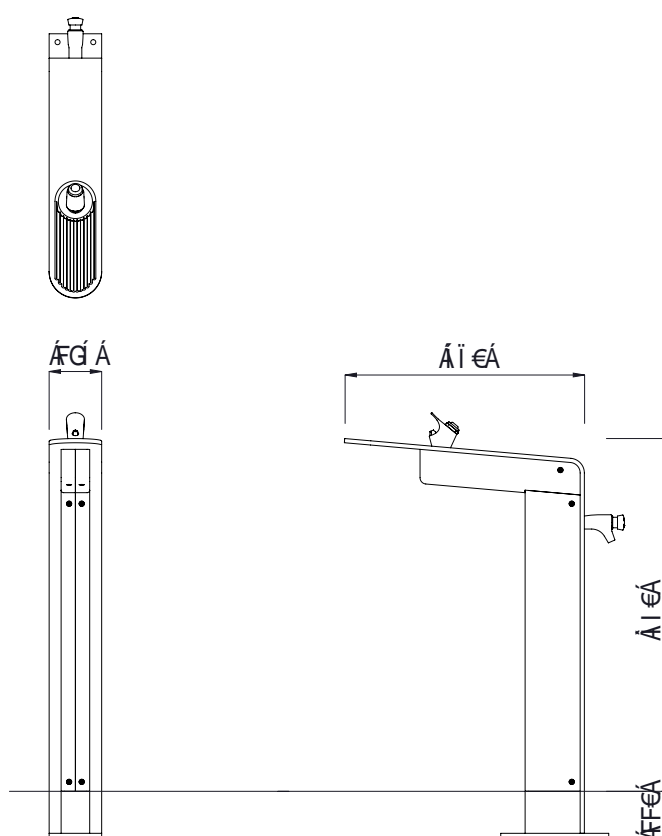




Ô[ | ~ | • Äā ā @ • Ä @ , } Ä ^ Ä ā ä cæā ^ Ä } | Ä ā Ä æ Ä ā ^ | Ä Ä cæ Ä



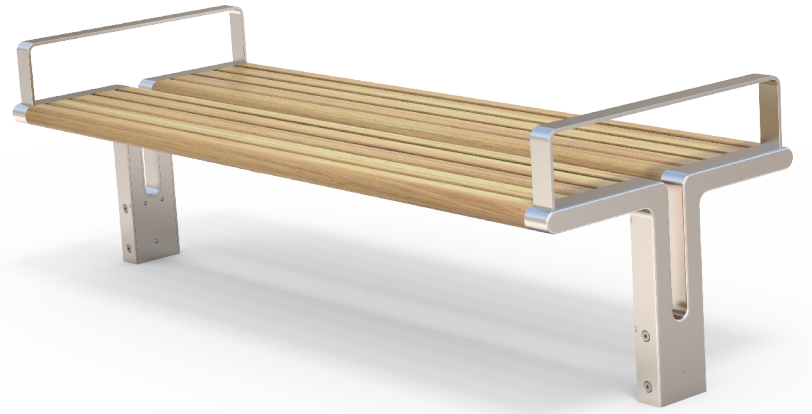
	MATERIALS	FINISHES	FINISH OPTIONS
Steelwork	• 316 stainless steel as standard	• Electropolished as standard	• Custom paint options
Hardware / Fasteners	• Stainless steel		
	OPTIONS	DIMENSIONS	WEIGHT
• Bottle filler tap option		• 125W x 950H x 570D (Sub-surface Mounted)	• 30Kg

- Part of the 'CBD' furniture suite. Made to order and can be customised to suit clients requirements.
- Furniture is not supplied with installation instructions, install fastenings or footing details. These are to be specified and determined by the installing contractor for the specific requirements of each site.

ÔÓÖÀÛ ã<sup>^</sup>  
Ô[ { ] | ^ { ^ } çã \* ÁØ ! } ã<sup>ÿ</sup> ! ^



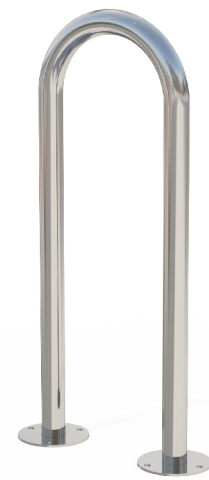
ÔÓÖÀÛ çã<sup>fi</sup> €€Š



ÔÓÖÀÛ<sup>^</sup> çã<sup>fi</sup> €€Š



ÔÓÖÀÛ çã<sup>fi</sup> €€Š



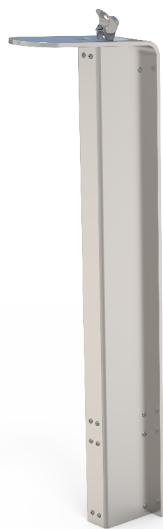
ÔÓÖÀÛ çã<sup>fi</sup> €€Š



ÔÓÖÀÛ çã<sup>fi</sup> €€Š



ÔÓÖÀÛ çã<sup>fi</sup> €€Š



ÔÓÖÀÛ çã<sup>fi</sup> €€Š



ÔÓÖÀÛ çã<sup>fi</sup> €€Š