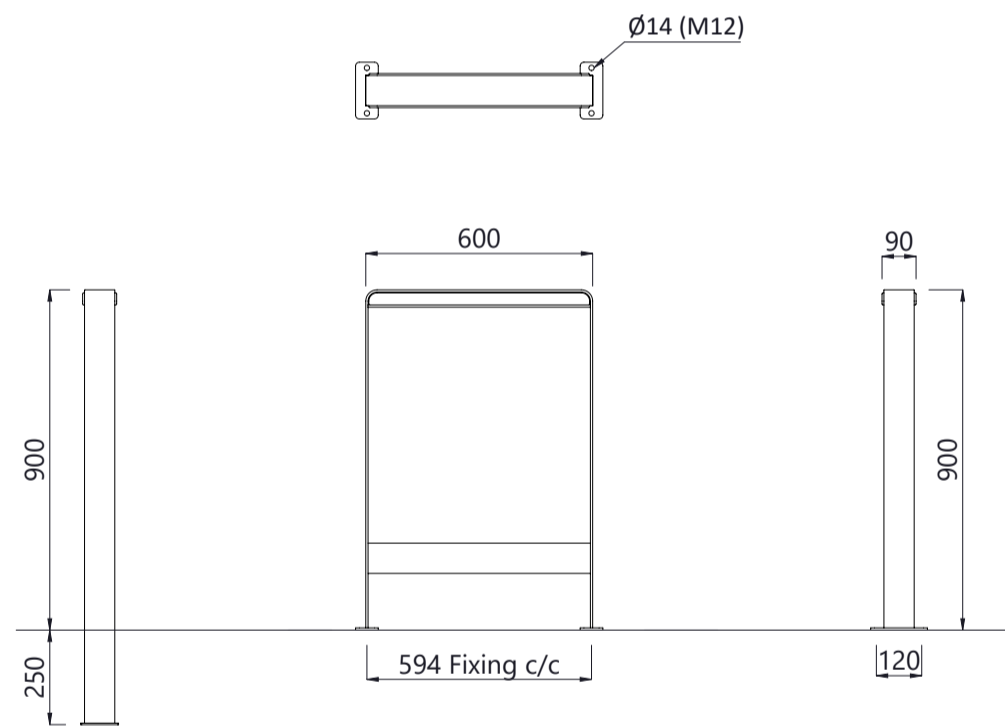


Plaza Cycle Stand 600W



Colours / finishes shown are indicative only and may differ in reality.



	MATERIALS	FINISHES	FINISH OPTIONS
Timber (Hardwood)	<ul style="list-style-type: none"> Vitex as standard Other species available on request 	<ul style="list-style-type: none"> Un-sealed (Natural) as standard 	<ul style="list-style-type: none"> Penetrating oil / Graffiti guard
Metalwork	<ul style="list-style-type: none"> Aluminium as standard 	<ul style="list-style-type: none"> Powdercoated 	<ul style="list-style-type: none"> Custom paint options
Hardware / Fasteners	<ul style="list-style-type: none"> Stainless steel 		
	OPTIONS	DIMENSIONS	WEIGHT
		<ul style="list-style-type: none"> 600L x 900H x 90D as standard 	<ul style="list-style-type: none"> 6 Kg

MOUNT TYPE

- (Refer to Footing Detail Sheet for mount type)
- Surface mounted - TYPE B1
 - Plant mounted - TYPE E

- Part of the 'Plaza' furniture suite. Made to order and can be customised to suit clients requirements.
- Furniture is not supplied with installation instructions, install fastenings or footing details. These are to be specified and determined by the installing contractor for the specific requirements of each site.