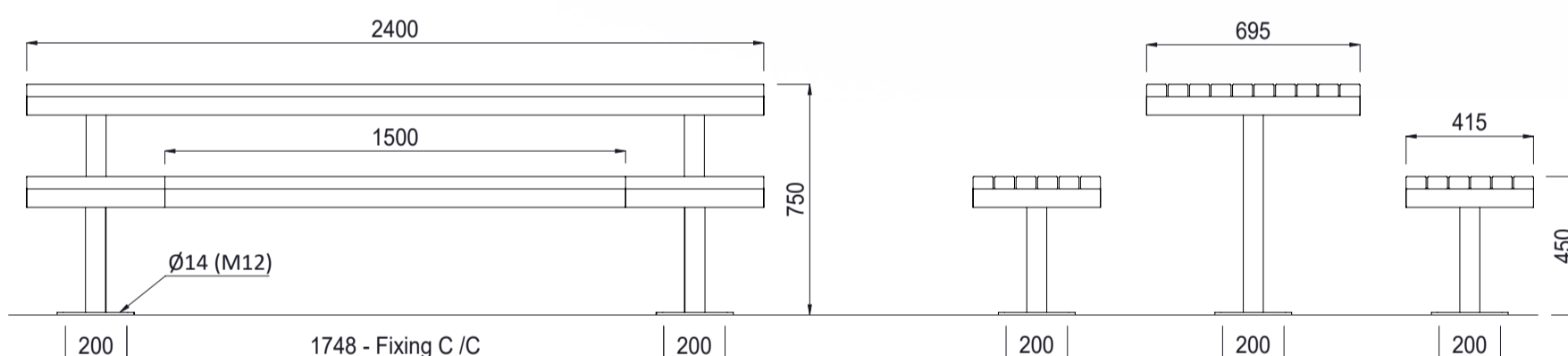


Vista Picnic Set AC 2400L



Colours / finishes shown are indicative only and may differ in reality.



	MATERIALS	FINISHES	FINISH OPTIONS
Timber	<ul style="list-style-type: none"> Vitex as standard (Hardwood) Other species available on request Composite Slats 	<ul style="list-style-type: none"> Un-sealed (Natural) as standard 	<ul style="list-style-type: none"> Penetrating oil / Graffiti guard / Clear sealant
Metalwork	<ul style="list-style-type: none"> Aluminium 	<ul style="list-style-type: none"> Powdercoated 	<ul style="list-style-type: none"> Custom paint options
Hardware / Fasteners	<ul style="list-style-type: none"> Stainless steel 		
	OPTIONS	DIMENSIONS	WEIGHT
	<ul style="list-style-type: none"> Post plant or surface mounted 	<ul style="list-style-type: none"> 450L x 450H x 415D (Stool) 2400L x 450H x 415D (Bench) 2400L x 750H x 695D (Table) 	<ul style="list-style-type: none"> 11Kg (15Kg Composite) X2 47Kg (61Kg Composite) 70Kg (100Kg Composite)
	MOUNT TYPE		
(Refer to footing detail sheet for mount type)	<ul style="list-style-type: none"> Surface mounted - TYPE B1 Plant mounted - TYPE D 		

- Part of the 'Vista' furniture suite. Made to order and can be customised to suit clients requirements.
- Furniture is not supplied with installation instructions, install fastenings or footing details. These are to be specified and determined by the installing contractor for the specific requirements of each site.